

**SECTION** **ST**  
**STEERING SYSTEM**

A  
 B  
 C  
 D  
 E  
 F  
**ST**  
 H  
 I  
 J  
 K  
 L  
 M  
 N  
 O  
 P

**CONTENTS**

<b>SYMPTOM DIAGNOSIS</b> .....	<b>3</b>	<b>STEERING COLUMN</b> .....	<b>16</b>
<b>NOISE, VIBRATION AND HARSHNESS (NVH) TROUBLESHOOTING</b> .....	<b>3</b>	<b>WITHOUT ELECTRIC MOTOR</b> .....	<b>16</b>
NVH Troubleshooting Chart .....	3	WITHOUT ELECTRIC MOTOR : Exploded View ....	16
<b>PRECAUTION</b> .....	<b>4</b>	WITHOUT ELECTRIC MOTOR : Removal and Installation .....	16
<b>PRECAUTIONS</b> .....	<b>4</b>	WITHOUT ELECTRIC MOTOR : Inspection .....	17
Precaution for Supplemental Restraint System (SRS) "AIR BAG" and "SEAT BELT PRE-TENSIONER" .....	4	<b>WITH ELECTRIC MOTOR</b> .....	<b>18</b>
Precaution Necessary for Steering Wheel Rotation after Battery Disconnect .....	4	WITH ELECTRIC MOTOR : Exploded View .....	19
Service Procedure Precautions for Models with a Pop-up Roll Bar .....	5	WITH ELECTRIC MOTOR : Removal and Installation .....	19
Precaution for Battery Service .....	5	WITH ELECTRIC MOTOR : Inspection .....	20
Precaution Necessary for Steering Wheel Rotation after Battery Disconnect .....	5	<b>LOWER SHAFT</b> .....	<b>22</b>
Service Notice or Precautions for Steering System .....	5	Exploded View .....	22
<b>PREPARATION</b> .....	<b>7</b>	Removal and Installation .....	22
<b>PREPARATION</b> .....	<b>7</b>	Inspection .....	23
Special Service Tools .....	7	<b>STEERING GEAR AND LINKAGE</b> .....	<b>24</b>
Commercial Service Tools .....	8	Exploded View .....	24
<b>PERIODIC MAINTENANCE</b> .....	<b>9</b>	Removal and Installation .....	25
<b>POWER STEERING FLUID</b> .....	<b>9</b>	Disassembly and Assembly .....	26
Inspection .....	9	Inspection .....	30
<b>STEERING WHEEL</b> .....	<b>11</b>	<b>POWER STEERING OIL PUMP</b> .....	<b>32</b>
Inspection .....	11	<b>EXCEPT FOR SPORT MODELS</b> .....	<b>32</b>
<b>REMOVAL AND INSTALLATION</b> .....	<b>14</b>	EXCEPT FOR SPORT MODELS : Exploded View ...	32
<b>STEERING WHEEL</b> .....	<b>14</b>	EXCEPT FOR SPORT MODELS : Removal and Installation .....	33
Exploded View .....	14	EXCEPT FOR SPORT MODELS : Disassembly and Assembly .....	33
Removal and Installation .....	14	EXCEPT FOR SPORT MODELS : Inspection .....	36
Disassembly and Assembly .....	15	<b>SPORT MODELS</b> .....	<b>37</b>
		SPORT MODELS : Exploded View .....	37
		SPORT MODELS : Removal and Installation .....	38
		SPORT MODELS : Disassembly and Assembly ....	39
		SPORT MODELS : Inspection .....	41
		<b>HYDRAULIC LINE</b> .....	<b>43</b>
		Exploded View .....	43

---

**SERVICE DATA AND SPECIFICATIONS****(SDS) ..... 45****SERVICE DATA AND SPECIFICATIONS****(SDS) ..... 45**

General Specifications ..... 45

Steering Wheel Axial End Play and Play ..... 45

Steering Wheel Turning Force ..... 45

Steering Angle ..... 45

Steering Column Length ..... 45

Steering Column Mounting Dimensions ..... 45

Steering Column Operating Range ..... 45

Lower Shaft Sliding Range ..... 46

Rack Sliding Force ..... 46

Rack Stroke ..... 46

Socket Swing Force and Rotating Torque ..... 46

Socket Axial End Play ..... 46

Inner Socket Length ..... 46

Pinion Rotating Torque ..... 46

Relief Oil Pressure ..... 47

# NOISE, VIBRATION AND HARSHNESS (NVH) TROUBLESHOOTING

< SYMPTOM DIAGNOSIS >

## SYMPTOM DIAGNOSIS

### NOISE, VIBRATION AND HARSHNESS (NVH) TROUBLESHOOTING

#### NVH Troubleshooting Chart

INFOID:000000005631167

Use the chart below to find the cause of the symptom. If necessary, repair or replace these parts.

Symptom	Steering	Possible cause and SUSPECTED PARTS																				Reference		
		Fluid level	Air in hydraulic system	Outer/inner socket ball joint swinging torque	Outer/inner socket ball joint rotating torque	Outer/inner socket ball joint end play	Steering fluid leakage	Steering wheel play	Steering gear rack sliding force	Drive belt looseness	Improper steering wheel	Improper installation or looseness of tilt lock lever	Mounting looseness	Steering column deformation or damage	Improper installation or looseness of steering column	Steering linkage looseness	PROPELLER SHAFT	DIFFERENTIAL	AXLE and SUSPENSION	TIRE	ROAD WHEEL		DRIVE SHAFT	BRAKE
	Noise	x	x	x	x	x	x	x	x	x				x	x		x	x	x	x	x	x	x	ST-9, "Inspection"
	Shake									x			x				x							ST-9, "Inspection"
	Vibration													x	x									ST-30, "Inspection"
	Shimmy								x			x												ST-30, "Inspection"
	Judder											x												ST-9, "Inspection"
																								ST-11, "Inspection"
																								ST-11, "Inspection"
																								EM-13, "Checking"
																								ST-11, "Inspection"
																								—
																								ST-24, "Exploded View"
																								ST-17, "WITHOUT ELECTRIC MOTOR : Inspection"
																								ST-20, "WITH ELECTRIC MOTOR : Inspection"
																								ST-16, "WITHOUT ELECTRIC MOTOR : Exploded View"
																								ST-19, "WITH ELECTRIC MOTOR : Exploded View"
																								ST-24, "Exploded View"
																								NVH in DLN section.
																								NVH in DLN section.
																								NVH in FAX, RAX, FSU, RSU section.
																								NVH in WT section.
																								NVH in WT section.
																								NVH in RAX section.
																								NVH in BR section.

x: Applicable

A  
B  
C  
D  
E  
F  
ST  
H  
I  
J  
K  
L  
M  
N  
O  
P

# PRECAUTIONS

< PRECAUTION >

## PRECAUTION

### PRECAUTIONS

#### Precaution for Supplemental Restraint System (SRS) "AIR BAG" and "SEAT BELT PRE-TENSIONER"

INFOID:000000005853855

The Supplemental Restraint System such as "AIR BAG" and "SEAT BELT PRE-TENSIONER", used along with a front seat belt, helps to reduce the risk or severity of injury to the driver and front passenger for certain types of collision. This system includes seat belt switch inputs and dual stage front air bag modules. The SRS system uses the seat belt switches to determine the front air bag deployment, and may only deploy one front air bag, depending on the severity of a collision and whether the front occupants are belted or unbelted. Information necessary to service the system safely is included in the "SRS AIR BAG" and "SEAT BELT" of this Service Manual.

#### **WARNING:**

- To avoid rendering the SRS inoperative, which could increase the risk of personal injury or death in the event of a collision which would result in air bag inflation, all maintenance must be performed by an authorized NISSAN/INFINITI dealer.
- Improper maintenance, including incorrect removal and installation of the SRS, can lead to personal injury caused by unintentional activation of the system. For removal of Spiral Cable and Air Bag Module, see the "SRS AIR BAG".
- Do not use electrical test equipment on any circuit related to the SRS unless instructed to in this Service Manual. SRS wiring harnesses can be identified by yellow and/or orange harnesses or harness connectors.

#### PRECAUTIONS WHEN USING POWER TOOLS (AIR OR ELECTRIC) AND HAMMERS

#### **WARNING:**

- When working near the Air Bag Diagnosis Sensor Unit or other Air Bag System sensors with the ignition ON or engine running, DO NOT use air or electric power tools or strike near the sensor(s) with a hammer. Heavy vibration could activate the sensor(s) and deploy the air bag(s), possibly causing serious injury.
- When using air or electric power tools or hammers, always switch the ignition OFF, disconnect the battery, and wait at least 3 minutes before performing any service.

#### Precaution Necessary for Steering Wheel Rotation after Battery Disconnect

INFOID:000000005853857

#### **NOTE:**

- Before removing and installing any control units, first turn the push-button ignition switch to the LOCK position, then disconnect both battery cables.
- After finishing work, confirm that all control unit connectors are connected properly, then re-connect both battery cables.
- Always use CONSULT-III to perform self-diagnosis as a part of each function inspection after finishing work. If a DTC is detected, perform trouble diagnosis according to self-diagnosis results.

For vehicle with steering lock unit, if the battery is disconnected or discharged, the steering wheel will lock and cannot be turned.

If turning the steering wheel is required with the battery disconnected or discharged, follow the operation procedure below before starting the repair operation.

#### OPERATION PROCEDURE

1. Connect both battery cables.

#### **NOTE:**

Supply power using jumper cables if battery is discharged.

2. Turn the push-button ignition switch to ACC position.  
(At this time, the steering lock will be released.)
3. Disconnect both battery cables. The steering lock will remain released with both battery cables disconnected and the steering wheel can be turned.
4. Perform the necessary repair operation.

# PRECAUTIONS

## < PRECAUTION >

- When the repair work is completed, re-connect both battery cables. With the brake pedal released, turn the push-button ignition switch from ACC position to ON position, then to LOCK position. (The steering wheel will lock when the push-button ignition switch is turned to LOCK position.)
- Perform self-diagnosis check of all control units using CONSULT-III.

### Service Procedure Precautions for Models with a Pop-up Roll Bar

INFOID:000000005631169

#### **WARNING:**

- Risk of passenger injury or death may increase if the pop-up roll bar does not deploy during a roll over collision. In order to reduce the chance of an incident where the pop-up roll bar is inoperative, all maintenance must be performed by a NISSAN or INFINITI dealer.**
- Before removing and installing the pop-up roll bar component parts and harness, always turn the ignition switch OFF, disconnect the battery negative terminal, and wait for 3 minutes or more. (The purpose of this operation is to discharge electricity that is accumulated in the auxiliary power supply circuit in the air bag diagnosis sensor unit.)**
- When repairing, removing, and installing a pop-up roll bar, always refer to SRS AIR BAG and SRS AIR BAG CONTROL warnings in the Service Manual.**

### Precaution for Battery Service

INFOID:000000005631170

Before disconnecting the battery, lower both the driver and passenger windows. This will prevent any interference between the window edge and the vehicle when the door is opened/closed. During normal operation, the window slightly raises and lowers automatically to prevent any window to vehicle interference. The automatic window function will not work with the battery disconnected.

### Precaution Necessary for Steering Wheel Rotation after Battery Disconnect

INFOID:000000005631171

#### **NOTE:**

- Before removing and installing any control units, first turn the push-button ignition switch to the LOCK position, then disconnect both battery cables.
- After finishing work, confirm that all control unit connectors are connected properly, then re-connect both battery cables.
- Always use CONSULT-III to perform self-diagnosis as a part of each function inspection after finishing work. If a DTC is detected, perform trouble diagnosis according to self-diagnosis results.

For vehicle with steering lock unit, if the battery is disconnected or discharged, the steering wheel will lock and cannot be turned.

If turning the steering wheel is required with the battery disconnected or discharged, follow the operation procedure below before starting the repair operation.

### OPERATION PROCEDURE

- Connect both battery cables.  
**NOTE:**  
Supply power using jumper cables if battery is discharged.
- Turn the push-button ignition switch to ACC position.  
(At this time, the steering lock will be released.)
- Disconnect both battery cables. The steering lock will remain released with both battery cables disconnected and the steering wheel can be turned.
- Perform the necessary repair operation.
- When the repair work is completed, re-connect both battery cables. With the brake pedal released, turn the push-button ignition switch from ACC position to ON position, then to LOCK position. (The steering wheel will lock when the push-button ignition switch is turned to LOCK position.)
- Perform self-diagnosis check of all control units using CONSULT-III.

### Service Notice or Precautions for Steering System

INFOID:000000005631172

- In case of removing steering gear assembly, make the final tightening with grounded and unloaded vehicle condition, and then check wheel alignment.
- Observe the following precautions when disassembling.
  - Before disassembly, thoroughly clean the outside of the unit.

## PRECAUTIONS

### < PRECAUTION >

---

- Disassembly should be done in a clean work area. It is important to prevent the internal parts from becoming contaminated by dirt or other foreign matter.
- For easier and proper assembly, place disassembled parts in order on a parts rack.
- Use nylon cloth or paper towels to clean the parts; common shop rags can leave lint that might interfere with their operation.
- Never reuse non-reusable parts.
- Before assembling, apply the specified grease to the directed parts.

# PREPARATION

< PREPARATION >

## PREPARATION

### PREPARATION

#### Special Service Tools

INFOID:000000005631173

The actual shapes of Kent-Moore tools may differ from those of special service tools illustrated here.

Tool number (Kent-Moore No.) Tool name	Description
ST3127S000 (J-25765-A) Preload gauge	Inspecting sliding torque, steering torque, and rotating torque for ball joint
ST27180001 (J-25726-A) Steering wheel puller	Removing steering wheel
KV48103400 ( — ) Preload adapter	Inspecting rotating torque
ST35300000 ( — ) Drift a: 45.1 mm (1.776 in) dia. b: 59.0 mm (2.323 in) dia.	Installing oil pump oil seal (Except for sport models)
KV48103500 (J-26357) Oil pressure gauge	Measuring oil pump relief pressure
KV48102500 (J-33914) Oil pressure gauge adapter	Measuring oil pump relief pressure

A

B

C

D

E

F

ST

H

I

J

K

L

M

N

O

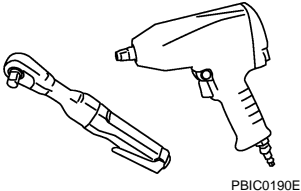
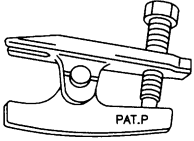
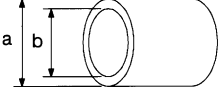
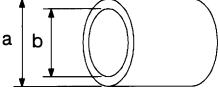
P

# PREPARATION

< PREPARATION >

## Commercial Service Tools

INFOID:000000005631174

Tool name	Description
<p>Power tool</p>  <p>PBIC0190E</p>	<p>Loosening bolts and nuts</p>
<p>Ball joint remover</p>  <p>PAT.P</p> <p>S-NT146</p>	<p>Remove steering outer socket</p>
<p>Drift</p> <p>a: 15 mm (0.59 in) dia.</p> <p>b: 10 mm (0.39 in) dia.</p>  <p>S-NT474</p>	<p>Installing rotor snap ring</p>
<p>Drift</p> <p>a: 36 mm (1.42 in) dia.</p> <p>b: 20 mm (0.79 in) dia.</p>  <p>S-NT474</p>	<p>Installing oil pump oil seal (for sport models)</p>



# POWER STEERING FLUID

< PERIODIC MAINTENANCE >

## PERIODIC MAINTENANCE

### POWER STEERING FLUID

#### Inspection

INFOID:000000005631175

#### FLUID LEVEL

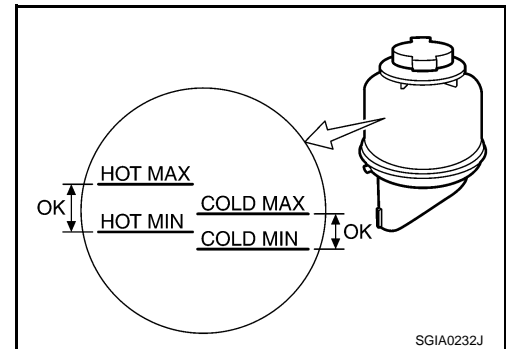
1. Check fluid level with engine stopped.
2. Ensure that fluid level is between MIN and MAX.
3. Fluid levels at HOT and COLD are different. Do not confuse them.

**HOT** : Fluid temperature 50 – 80°C (122 – 176°F)

**COLD** : Fluid temperature 0 – 30°C (32 – 86°F)

**Recommended fluid** : Refer to [MA-10, "Fluids and Lubricants"](#).

**Fluid capacity** : Refer to [ST-45, "General Specifications"](#).



#### CAUTION:

- The fluid level should not exceed the MAX line. Excessive fluid causes fluid leakage from the cap.
- Never reuse drained power steering fluid.

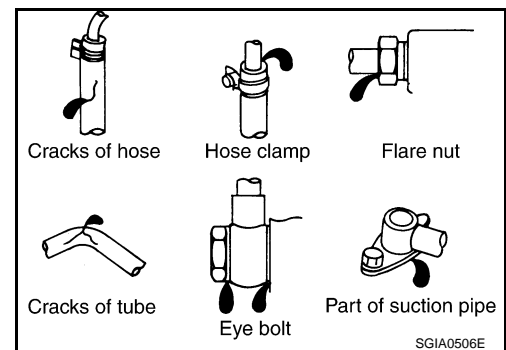
#### FLUID LEAKAGE

- Check hydraulic connections for fluid leakage, cracks, damage, looseness, or wear.
1. Run engine until the fluid temperature reaches 50 to 80°C (122 to 176°F) in reservoir tank, and keep engine speed idle.
  2. Turn steering wheel several times from full left stop to full right stop.
  3. Hold steering wheel at each lock position for five seconds and carefully, check for fluid leakage.

#### CAUTION:

**Never hold the steering wheel in a locked position for more than 10 seconds. (There is the possibility that power steering oil pump assembly may be damaged.)**

4. If fluid leakage at connections is noticed, then loosen flare nut and then retighten. Do not overtighten connector as this can damage O-ring, washer and connector.
5. If fluid leakage from oil pump is noticed, check oil pump. Refer to [ST-36, "EXCEPT FOR SPORT MODELS: Inspection"](#) (Except for sport models), [ST-41, "SPORT MODELS: Inspection"](#) (Sport models).
6. Check steering gear boots for accumulation of fluid indicating from steering gear.



#### AIR BLEEDING HYDRAULIC SYSTEM

If air bleeding is not complete, the following symptoms can be observed.

- Bubbles are created in reservoir tank.
- Clicking noise can be heard from oil pump.
- Excessive buzzing in the oil pump.

#### NOTE:

Fluid noise may occur in the steering gear or oil pump. This does not affect performance or durability of the system.

1. Turn steering wheel several times from full left stop to full right stop with engine off.

#### CAUTION:

**Fill reservoir tank with a sufficient amount of fluid so that fluid level is not below the MIN line while turning steering wheel.**

2. Start engine and hold steering wheel at each lock position for 3 seconds at idle to check for fluid leakage.

## POWER STEERING FLUID

### < PERIODIC MAINTENANCE >

---

3. Repeat step 2 above several times at approximately 3 seconds intervals.

**CAUTION:**

**Never hold the steering wheel in a locked position for more than 10 seconds. (There is the possibility that oil pump may be damaged.)**

4. Check fluid for bubbles and white contamination.
5. Stop engine if bubbles and white contamination do not drain out. Perform step 2 and 3 above after waiting until bubbles and white contamination drain out.
6. Stop the engine, and then check fluid level.

# STEERING WHEEL

< PERIODIC MAINTENANCE >

## STEERING WHEEL

### Inspection

INFOID:000000005631176

#### STEERING WHEEL AXIAL END PLAY

1. Check installation conditions of steering gear assembly, front suspension assembly, axle and steering column assembly.
2. Check if movement exists when steering wheel is moved up and down, to the left and right and to the axial direction.

**Steering wheel axial end play** : Refer to [ST-45, "Steering Wheel Axial End Play and Play"](#).

3. Check the following items when steering wheel axial end play is out of the standard.
  - Check the steering column assembly mounting condition. Refer to [ST-16, "WITHOUT ELECTRIC MOTOR : Exploded View"](#) (Without electric motor), [ST-19, "WITH ELECTRIC MOTOR : Exploded View"](#) (With electric motor).
  - Check steering gear assembly mounting condition for looseness. Refer to [ST-24, "Exploded View"](#).

#### STEERING WHEEL PLAY

1. Turn steering wheel so that front wheels come to the straight-ahead position.
2. Start engine and lightly turn steering wheel to the left and right until front wheels start to move.
3. Measure steering wheel movement on the outer circumference.

**Steering wheel play** : Refer to [ST-45, "Steering Wheel Axial End Play and Play"](#).

4. Check the following items when steering wheel play is out of the standard.
  - Check backlash for each joint of steering column assembly.
  - Check installation condition of steering gear assembly.

#### NEUTRAL POSITION STEERING WHEEL

1. Check that steering gear assembly, steering column assembly and steering wheel are installed in the correct position.
2. Perform neutral position inspection after wheel alignment. Refer to [FSU-7, "Inspection"](#).
3. Set vehicle to the straight-ahead position and confirm steering wheel is in the neutral position.
4. Loosen outer socket lock nut and turn inner socket to left and right equally to make fine adjustments if steering wheel is not in the neutral position.

#### STEERING WHEEL TURNING FORCE

1. Park vehicle on a level and dry surface, set parking brake.
2. Tires need to be inflated normal pressure. Refer to [WT-61, "Tire Air Pressure"](#).
3. Start engine.
4. Bring power steering fluid up to adequate operating temperature.

**Fluid temperature** : 50 – 80°C (122 – 176°F)

# STEERING WHEEL

## < PERIODIC MAINTENANCE >

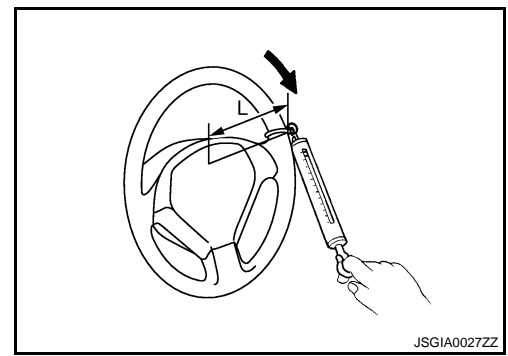
5. Check steering wheel turning force when steering wheel has been turned 540° from neutral position.

**Steering wheel turning force** : Refer to [ST-45, "Steering Wheel Turning Force"](#).

### NOTE:

Multiply the distance (L) from the hook of spring balance to the center of steering wheel by the measurement value with a spring balance.

6. If steering wheel turning force is out of the specification, check rack sliding force and relief hydraulic pressure of oil pump. Regarding relief hydraulic pressure of oil pump, refer to [ST-36, "EXCEPT FOR SPORT MODELS : Inspection"](#) (Except for sport models), [ST-41, "SPORT MODELS : Inspection"](#) (Sport models).



## RACK SLIDING FORCE

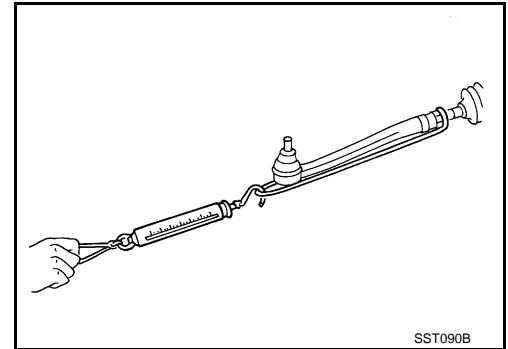
1. Disconnect lower joint and steering knuckle from steering gear assembly. Refer to [ST-24, "Exploded View"](#).
2. Start and run engine at idle to make sure steering fluid has reached normal operating temperature.

**Fluid temperature** : 50 – 80°C (122 – 176°F)

3. While pulling outer socket slowly in  $\pm 11.5$  mm ( $\pm 0.453$  in) range from neutral position, make sure rack sliding force is within specification.

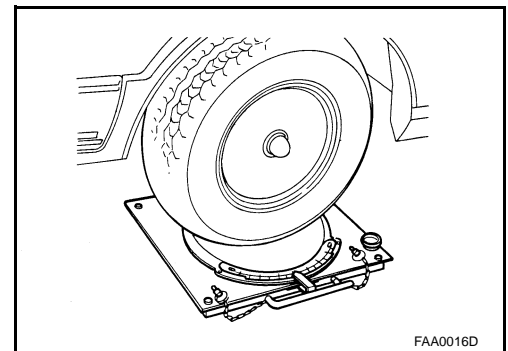
**Rack sliding force** : Refer to [ST-46, "Rack Sliding Force"](#).

4. If rack sliding force is not within specification, overhaul steering gear assembly.



## FRONT WHEEL TURNING ANGLE

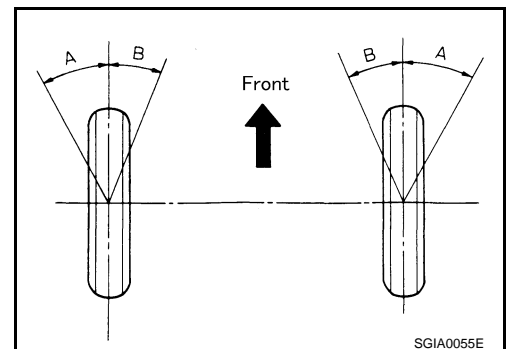
1. Check front wheel turning angle after toe-in inspection. Refer to [FSU-7, "Inspection"](#).
2. Place front wheels on turning radius gauges and rear wheels on stands, so that vehicle can be level.
3. Check the maximum inner and outer wheel turning angles for LH and RH road wheels.



4. With the engine at idle, turn steering wheel from full left stop to full right stop and measure the turning angles.

**Inner wheel (Angle: A)** : Refer to [ST-45, "Steering Angle"](#).

**Outer wheel (Angle: B)** : Refer to [ST-45, "Steering Angle"](#).



# STEERING WHEEL

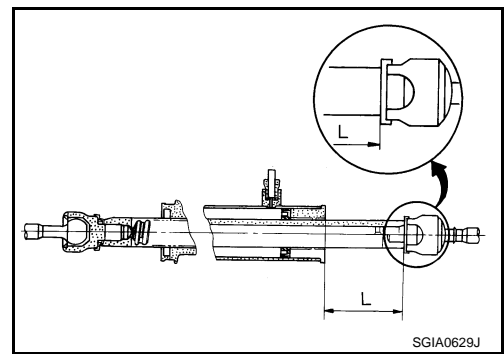
## < PERIODIC MAINTENANCE >

5. Check the following items when turning angle is out of the standard.
  - a. Check the neutral position of the rack stroke (L).

L

: Refer to [ST-46, "Rack Stroke"](#).

- b. Disassemble steering gear assembly to check the cause that rack stroke is outside of the standard.
  - Steering angles are not adjustable. Check steering gear assembly, steering column assembly and front suspension components for wear or damage if any of the turning angles are different from the specified value. Replace any of them, if any non-standard condition exists.



A  
B  
C  
D  
E  
F  
ST  
H  
I  
J  
K  
L  
M  
N  
O  
P

# STEERING WHEEL

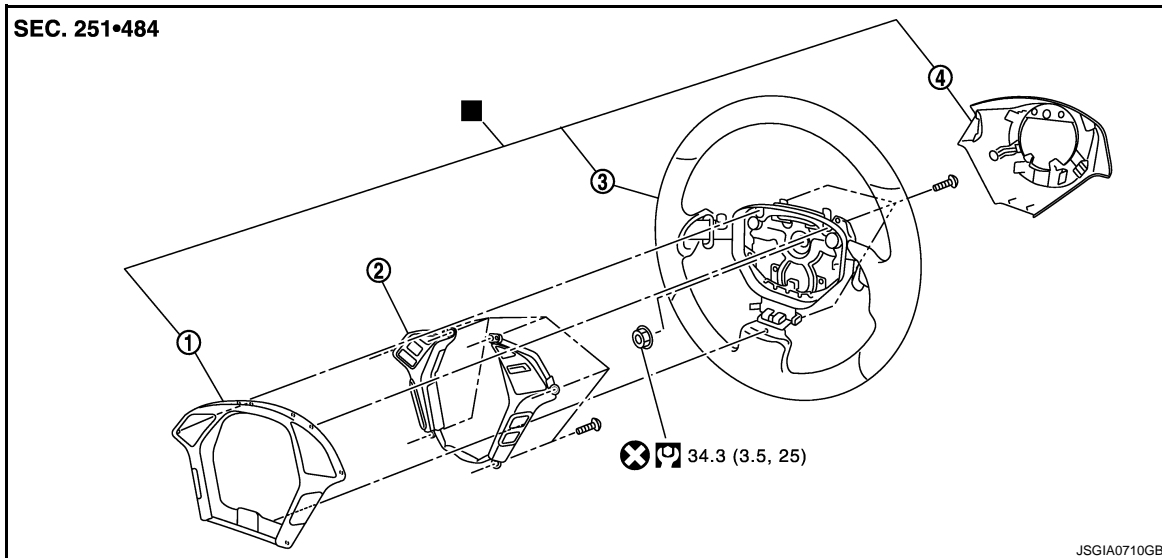
< REMOVAL AND INSTALLATION >

## REMOVAL AND INSTALLATION

### STEERING WHEEL

Exploded View

INFOID:000000005631177



1. Steering switch finisher
2. Steering switch
3. Steering wheel
4. Steering wheel rear cover

■: Replace the parts as a set.

Refer to [GI-4, "Components"](#) for symbols in the figure.

### Removal and Installation

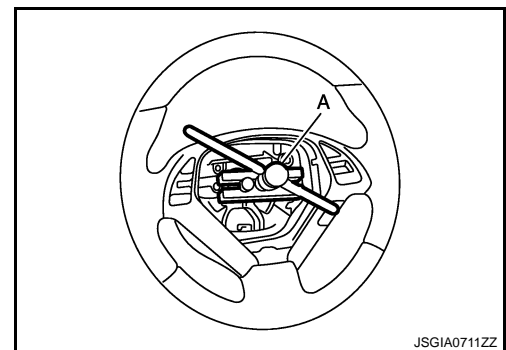
INFOID:000000005631178

#### REMOVAL

##### NOTE:

When reconnecting spiral cable, fix cable with a tape so that fixing case and rotating part keep aligned. This will omit neutral position alignment procedure during spiral cable installation.

1. Set vehicle to the straight-ahead position.
2. Remove driver air bag module. Refer to [SR-11, "Exploded View"](#).
3. Remove steering wheel lock nut after steering is locked.
4. Remove steering wheel with the steering wheel puller (A) [SST: ST27180001 (J-25726-A)].



#### INSTALLATION

Note the following, and install in the reverse order of removal.

##### CAUTION:

Never twist spiral cable freely on excessively after it becomes tight (doing so may cause the cable to tear off).

##### NOTE:

# STEERING WHEEL

## < REMOVAL AND INSTALLATION >

Check the spiral cable neutral position after replacing or rotating spiral cable. Refer to [SR-14. "Removal and Installation"](#).

### Disassembly and Assembly

INFOID:000000005631179

#### DISASSEMBLY

1. Remove steering wheel assembly. Refer to [ST-14. "Exploded View"](#).
2. Remove steering wheel rear cover.
3. Remove steering switch finisher.
4. Remove steering switch.

#### ASSEMBLY

Install in the reverse order of removal.

A  
B  
C  
D  
E  
F  
ST  
H  
I  
J  
K  
L  
M  
N  
O  
P

# STEERING COLUMN

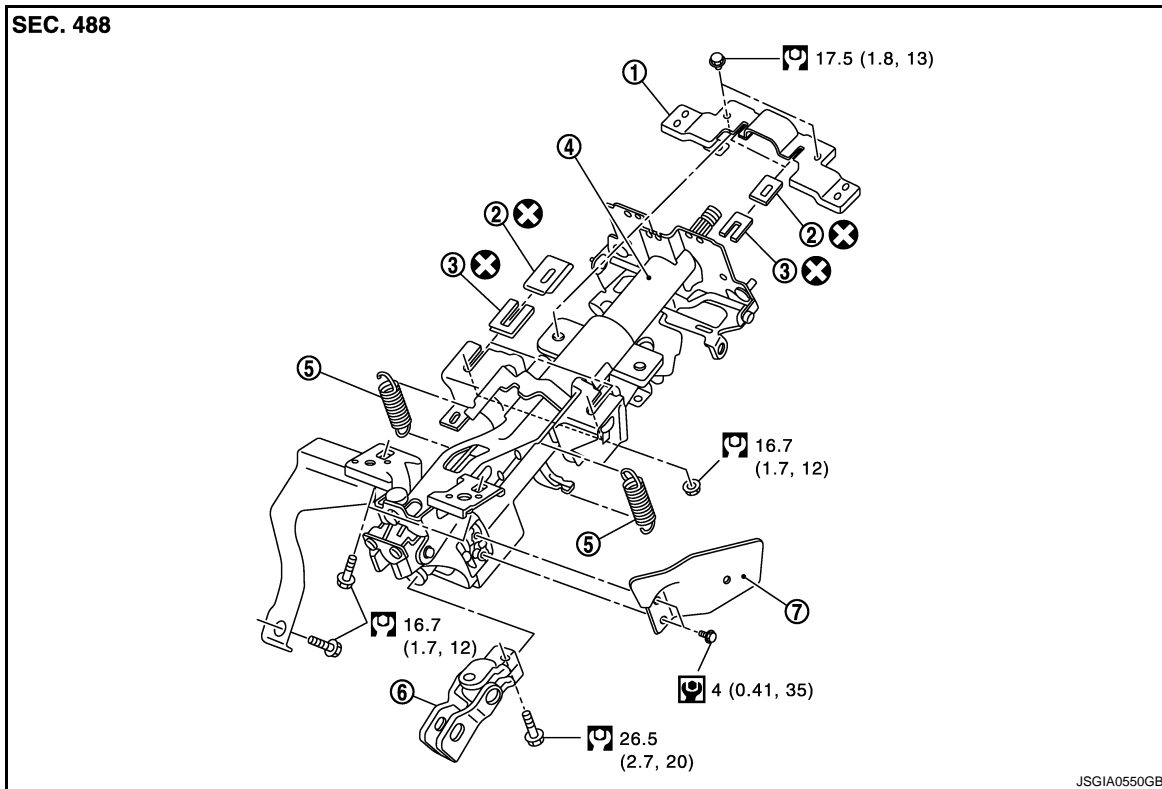
< REMOVAL AND INSTALLATION >

## STEERING COLUMN

WITHOUT ELECTRIC MOTOR

WITHOUT ELECTRIC MOTOR : Exploded View

INFOID:000000005631180



- |                             |           |                |
|-----------------------------|-----------|----------------|
| 1. Upper stay               | 2. Clip   | 3. Clip        |
| 4. Steering column assembly | 5. Spring | 6. Upper joint |
| 7. Bracket                  |           |                |

Refer to [GI-4. "Components"](#) for symbols in the figure.

## WITHOUT ELECTRIC MOTOR : Removal and Installation

INFOID:000000005631181

### REMOVAL

1. Set vehicle to the straight-ahead position.
2. Place the tilt to the highest level. Place the telescopic to the longest level.
3. Remove driver air bag module. Refer to [SR-11. "Exploded View"](#).
4. Remove steering wheel. Refer to [ST-14. "Exploded View"](#).
5. Remove steering column cover. Refer to [IP-12. "A/T MODELS : Exploded View"](#) (A/T) or [IP-22. "M/T MODELS : Exploded View"](#) (M/T).
6. Remove spiral cable. Refer to [SR-14. "Exploded View"](#).
7. Remove combination switch. Refer to [BCS-80. "Exploded View"](#).
8. Remove instrument driver lower panel LH. Refer to [IP-12. "A/T MODELS : Exploded View"](#) (A/T) or [IP-22. "M/T MODELS : Exploded View"](#) (M/T).



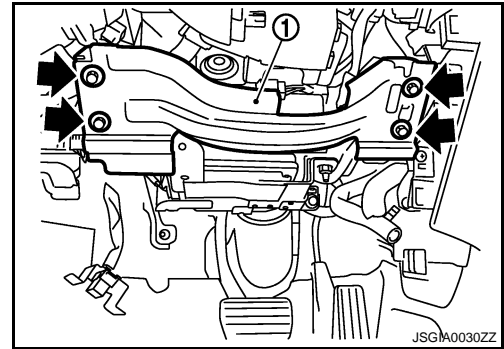
# STEERING COLUMN

## < REMOVAL AND INSTALLATION >

9. Remove knee protector (1).

← : Bolt

10. Remove combination meter. Refer to [MWI-129, "Exploded View"](#).
11. Disconnect each switch harness connectors installed to steering column assembly.
12. Remove the joint mounting bolt and nut (lower shaft side), and separate the joint from lower shaft.
13. Remove steering column assembly.



### CAUTION:

- Never give axial impact to steering column assembly during removal.
- Never move steering gear assembly when removing steering column assembly.

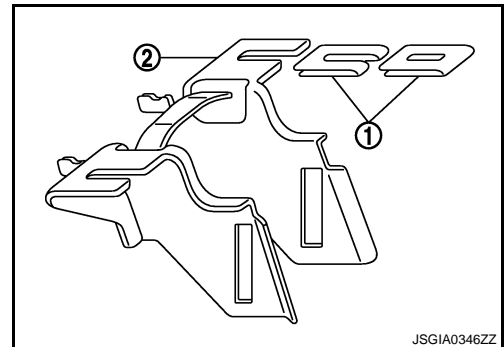
## INSTALLATION

Note the following, and install in the reverse order of removal.

- Make sure there is no space between clip (1) and steering column assembly (2).

### CAUTION:

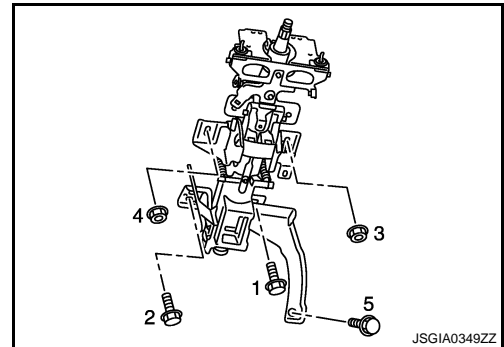
Never reuse the clip.



- Tighten the mounting bolts and nuts in the order shown in the figure when installing the steering column assembly.
- Be careful of the following points when installing the steering column assembly.

### CAUTION:

- Never give axial impact to steering column assembly during installation.
- Never move steering gear assembly.
- Never reuse the joint mounting nut (lower shaft side).
- Adjust neutral position of steering angle sensor. Refer to [BRC-9, "ADJUSTMENT OF STEERING ANGLE SENSOR NEUTRAL POSITION : Special Repair Requirement"](#).



INFOID:000000005631182

## WITHOUT ELECTRIC MOTOR : Inspection

### INSPECTION AFTER REMOVAL

- Check each part of steering column assembly for damage or other malfunctions. Replace if there are.
- Measure steering column assembly rotating torque using a preload gauge [SST: ST3127S000 (J-25765-A)]. Replace steering column assembly if outside the standard.

Rotating torque

: Refer to [ST-45, "Steering Column Length"](#).

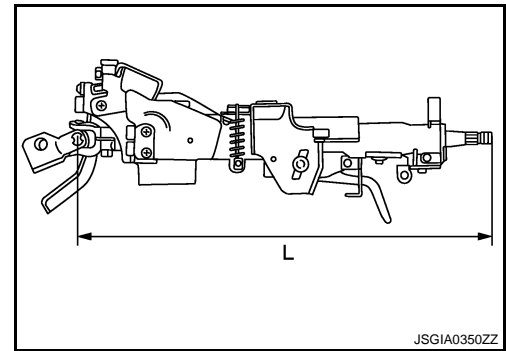
# STEERING COLUMN

## < REMOVAL AND INSTALLATION >

- Measure the length (L) as shown, if vehicle has been involved in a minor collision. Replace steering column assembly if out side the standard.

L

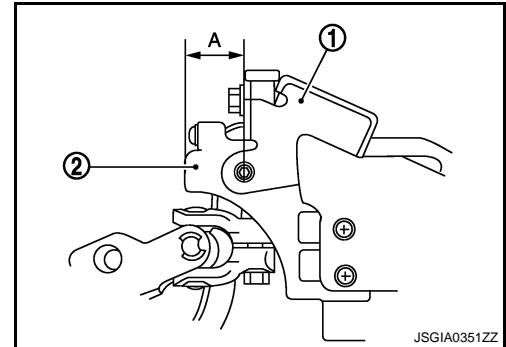
: Refer to [ST-45, "Steering Column Length"](#).



- Install the bracket (1) and steering column housing (2) so that the clearance (A) is within the specified range as described below. Replace steering column assembly if out side the standard.

A

: Refer to [ST-45, "Steering Column Mounting Dimensions"](#).



## INSPECTION AFTER INSTALLATION

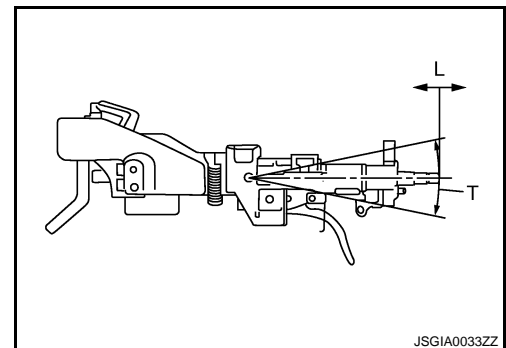
- Check each part of steering column assembly for damage or other malfunctions. Replace if there are.
- Check the steering wheel play, neutral position steering wheel, steering wheel turning force, and front wheel turning angle. Refer to [ST-11, "Inspection"](#).
- Check tilt and telescopic mechanism operating range "L", "T" as shown in the figure.

Tilt operating range "T"

: Refer to [ST-45, "Steering Column Operating Range"](#).

Telescopic operating range "L"

: Refer to [ST-45, "Steering Column Operating Range"](#).



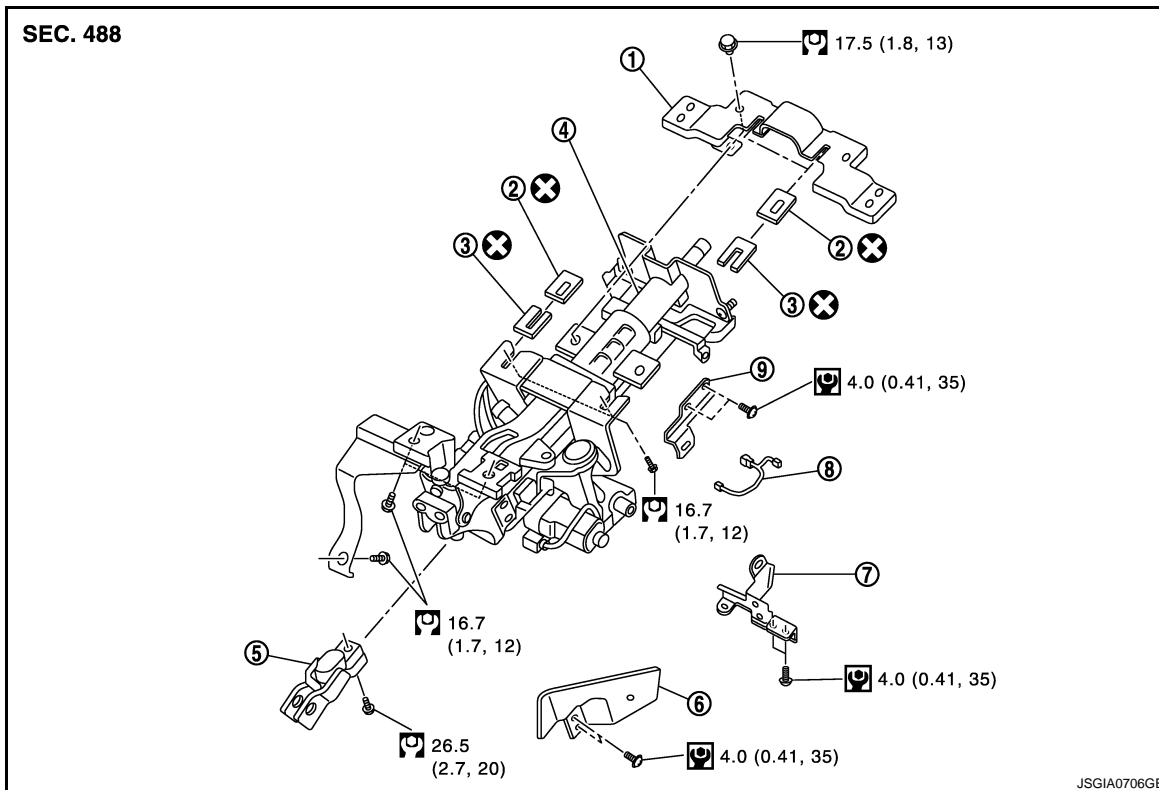
## WITH ELECTRIC MOTOR

# STEERING COLUMN

< REMOVAL AND INSTALLATION >

## WITH ELECTRIC MOTOR : Exploded View

INFOID:000000005631183



- |                             |                |            |
|-----------------------------|----------------|------------|
| 1. Upper stay               | 2. Clip        | 3. Clip    |
| 4. Steering column assembly | 5. Upper joint | 6. Bracket |
| 7. Bracket                  | 8. Harness     | 9. Bracket |

Refer to [GI-4, "Components"](#) for symbols in the figure.

## WITH ELECTRIC MOTOR : Removal and Installation

INFOID:000000005631184

### REMOVAL

1. Set the vehicle to the straight-ahead position.
2. Remove the instrument lower panel LH. Place the tilt to the highest level. Refer to [IP-12, "A/T MODELS : Exploded View"](#) (A/T) or [IP-22, "M/T MODELS : Exploded View"](#) (M/T).
3. Remove the steering column lower cover and steering column upper cover. Place the telescopic to the longest level. Refer to [IP-12, "A/T MODELS : Exploded View"](#) (A/T) or [IP-22, "M/T MODELS : Exploded View"](#) (M/T).
4. Remove driver air bag module. Refer to [SR-11, "Exploded View"](#).
5. Remove steering wheel. Refer to [ST-14, "Exploded View"](#).
6. Remove spiral cable. Refer to [SR-14, "Exploded View"](#).
7. Remove combination switch. Refer to [BCS-80, "Exploded View"](#).

# STEERING COLUMN

## < REMOVAL AND INSTALLATION >

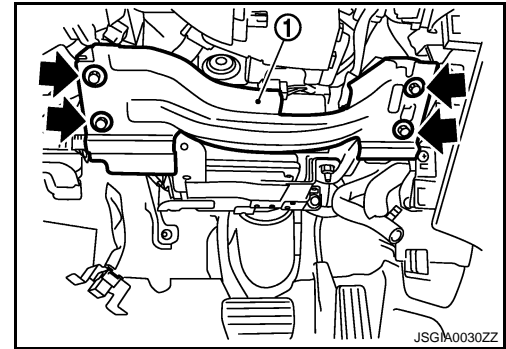
8. Remove knee protector (1).

← : Bolt

9. Remove combination meter. Refer to [MWI-129, "Exploded View"](#).
10. Remove upper stay.
11. Disconnect each switch harness connectors installed to steering column assembly.
12. Remove the joint mounting bolt and nut (lower shaft side), and separate the joint from lower shaft.
13. Remove steering column assembly.

### CAUTION:

- Never give axial impact to steering column assembly during removal.
- Never move steering gear assembly when removing steering column assembly.
- Never rotate the lower shaft.



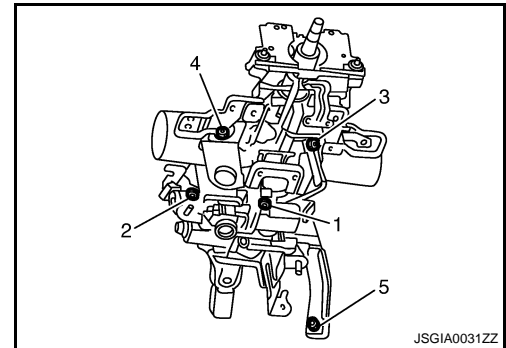
## INSTALLATION

Note the following, and install in the reverse order of removal.

- Tighten the mounting bolts in the order shown in the figure when installing the steering column assembly.

### CAUTION:

- Never give axial impact to steering column assembly during installation.
- Never move steering gear assembly.
- Never reuse the clip.
- Never reuse the joint mounting nut (lower shaft side).
- Adjust neutral position of steering angle sensor. Refer to [BRC-9, "ADJUSTMENT OF STEERING ANGLE SENSOR NEUTRAL POSITION : Special Repair Requirement"](#).



## WITH ELECTRIC MOTOR : Inspection

INFOID:000000005631185

## INSPECTION AFTER REMOVAL

- Check each part of steering column assembly for damage or other malfunctions. Replace if necessary.
- Measure steering column assembly rotating torque using a preload gauge [SST: ST3127S000 (J-25765-A)]. Replace steering column assembly if outside the standard.

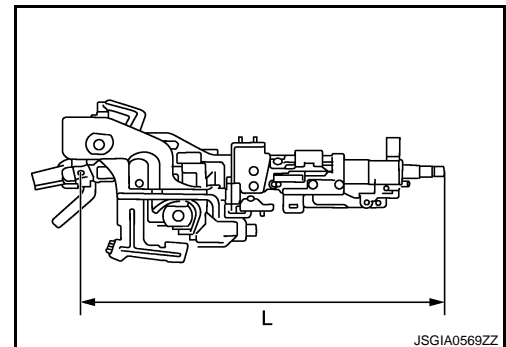
Rotating torque

: Refer to [ST-45, "Steering Column Operating Range"](#).

- Measure the length (L) as shown, if vehicle has been involved in a minor collision. Replace steering column assembly if out side the standard.

L

: Refer to [ST-45, "Steering Column Length"](#).



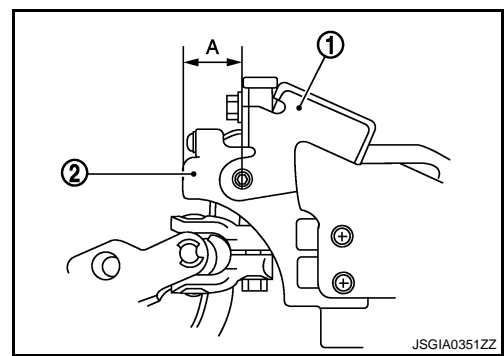
# STEERING COLUMN

## < REMOVAL AND INSTALLATION >

- Install the bracket (1) and steering column housing (2) so that the clearance (A) is within the specified range as described below. Replace steering column assembly if out side the standard.

A

: Refer to [ST-45, "Steering Column Mounting Dimensions"](#).



## INSPECTION AFTER INSTALLATION

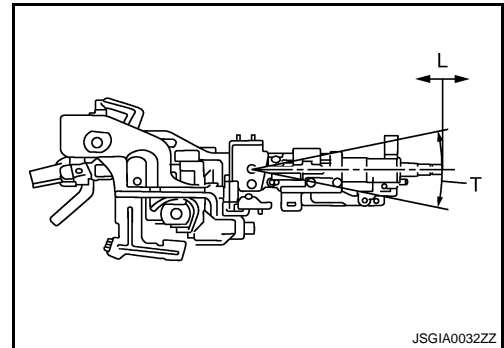
- Check each part of steering column assembly for damage or other malfunctions. Replace if necessary.
- Check the steering wheel play, neutral position steering wheel, steering wheel turning force, and front wheel turning angle. Refer to [ST-11, "Inspection"](#).
- Check tilt and telescopic mechanism operating range tilt operating range (T), telescopic operating range (L) as shown in the figure.

T

: Refer to [ST-45, "Steering Column Operating Range"](#).

L

: Refer to [ST-45, "Steering Column Operating Range"](#).



A  
B  
C  
D  
E  
F  
ST  
H  
I  
J  
K  
L  
M  
N  
O  
P

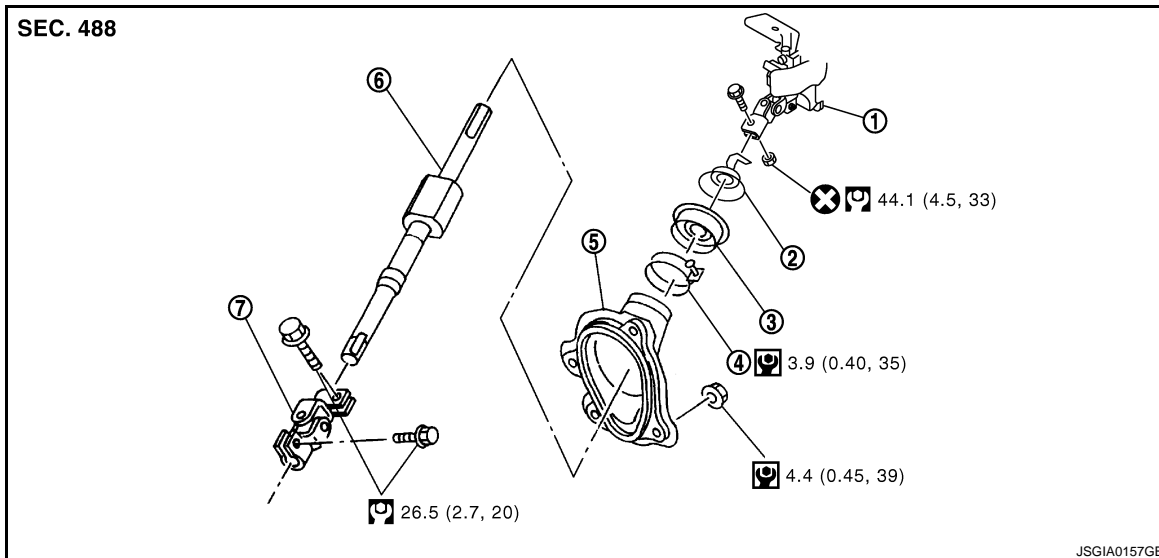
# LOWER SHAFT

< REMOVAL AND INSTALLATION >

## LOWER SHAFT

Exploded View

INFOID:000000005631186



- |                             |               |                    |
|-----------------------------|---------------|--------------------|
| 1. Steering column assembly | 2. Collar     | 3. Hole cover seal |
| 4. Clamp                    | 5. Hole cover | 6. Lower shaft     |
| 7. Lower joint              |               |                    |

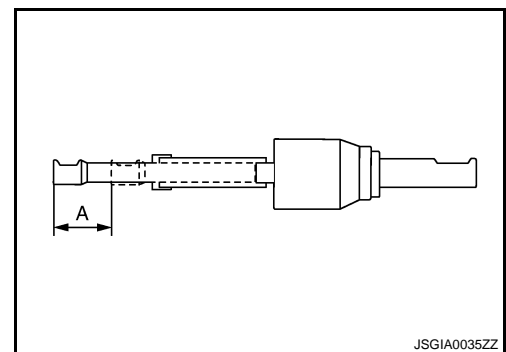
Refer to [GI-4, "Components"](#) for symbols in the figure.

## Removal and Installation

INFOID:000000005631187

### REMOVAL

1. Set vehicle to the straight-ahead position.
2. Fix the steering wheel.
3. Remove lower joint fixing bolt (steering gear side).
4. Separate the lower shaft from the steering gear assembly by sliding the slide shaft (A: sliding range).  
**CAUTION:**  
**Spiral cable may be cut if steering wheel turns while separating steering column assembly and steering gear assembly. Be sure to secure steering wheel using string to avoid turning.**
5. Remove the accelerator pedal bracket and lever assembly. Refer to [ACC-3, "Exploded View"](#).
6. Remove the side brake wire clamp stay. (A/T models)
7. Remove the hole cover mounting nuts.
8. Remove the upper joint fixing bolt and nut (lower shaft side).
9. Remove the lower shaft and hole cover.
10. Remove collar, hole cover seal, clamp and hole cover.



### INSTALLATION

Note the following, and install in the reverse order of removal.

#### **CAUTION:**

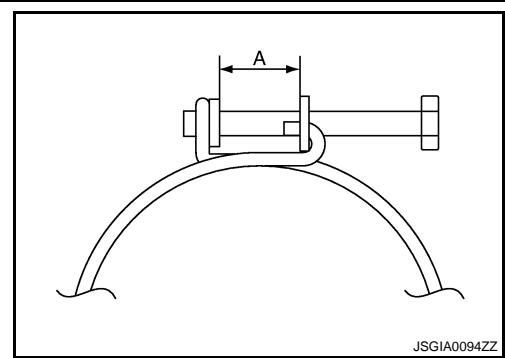
**Spiral cable may be cut if steering wheel turns while separating steering column assembly and steering gear assembly. Be sure to secure steering wheel using string to avoid turning.**

# LOWER SHAFT

## < REMOVAL AND INSTALLATION >

- Tighten the clamp to the specified torque and check the clamp length (A).

**Clamp length "A" : 14.0 – 18.0 mm (0.551 – 0.709 in)**



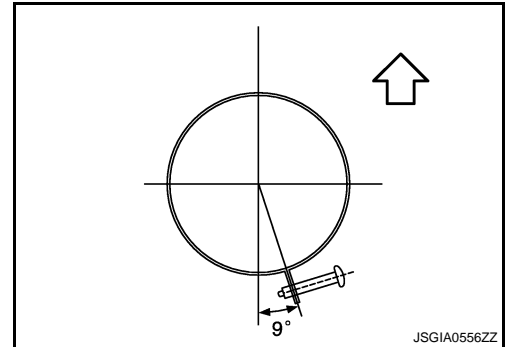
- Install clamp as shown in the figure.

↔ : Vehicle front

- When installing lower joint to steering gear assembly, follow the procedure listed below.
- Set rack of steering gear in the neutral position.

**NOTE:**

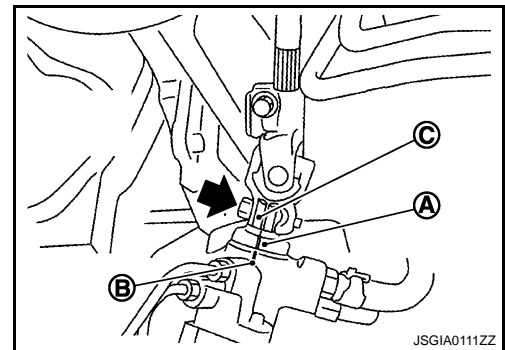
To get the neutral position of rack, turn gear-sub assembly and measure the distance of inner socket, and then measure the intermediate position of the distance.



- Align rear cover cap projection (A) with the marking position of gear housing assembly (B).

← : Bolt

- Install slit part of lower joint (C) aligning with the rear cover cap projection (A). Make sure that the slit part of lower joint (C) is aligned with rear cover cap projection (A) and the marking position of gear housing assembly (B).
- Adjust neutral position of steering angle sensor. Refer to [BRC-9, "ADJUSTMENT OF STEERING ANGLE SENSOR NEUTRAL POSITION : Special Repair Requirement"](#).



- Check the following after installation:
  - Check if steering wheel turns smoothly when it is turned several times fully to the end of the left and right.
  - Check the steering wheel play, neutral position steering wheel, steering wheel turning force, and front wheel turning angle. Refer to [ST-11, "Inspection"](#).

## Inspection

INFOID:000000005631188

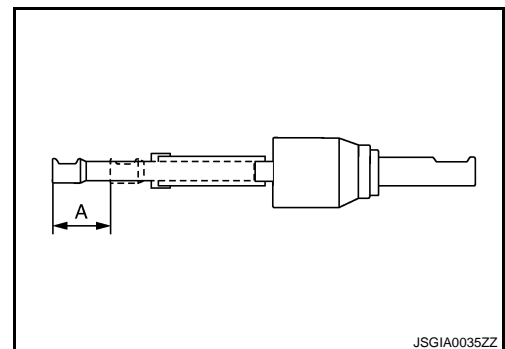
- Check the sliding range of the lower shaft.

**CAUTION:**

**Check the sliding range (A) (between the extended position and the contracted position) of the lower shaft.**

**A : Refer to ST-46, "Lower Shaft Sliding Range".**

- Check each part of lower shaft for damage or other malfunctions. Replace if there are.



A  
B  
C  
D  
E  
F  
ST  
H  
I  
J  
K  
L  
M  
N  
O  
P

# STEERING GEAR AND LINKAGE

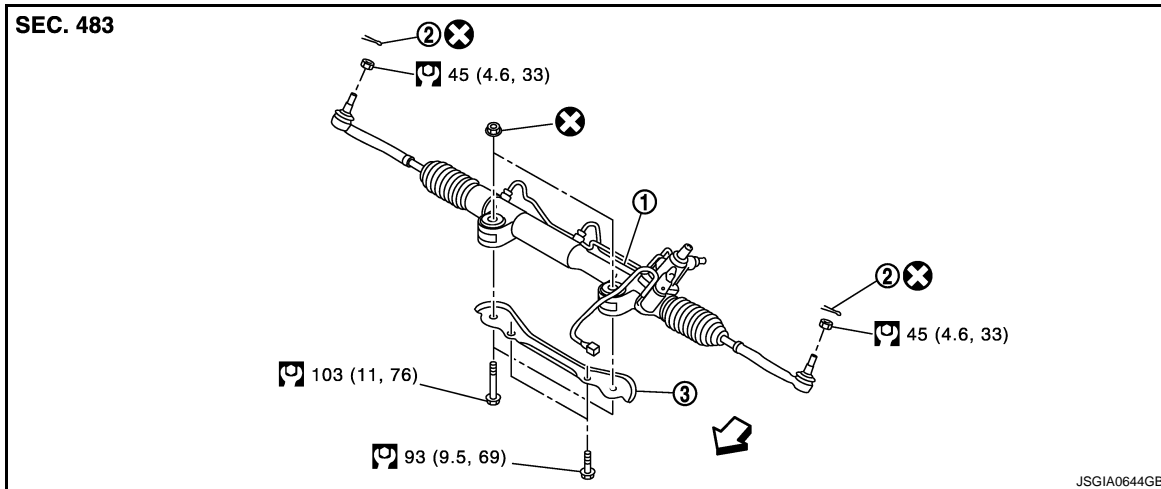
< REMOVAL AND INSTALLATION >

## STEERING GEAR AND LINKAGE

Exploded View

INFOID:000000005631189

### REMOVAL

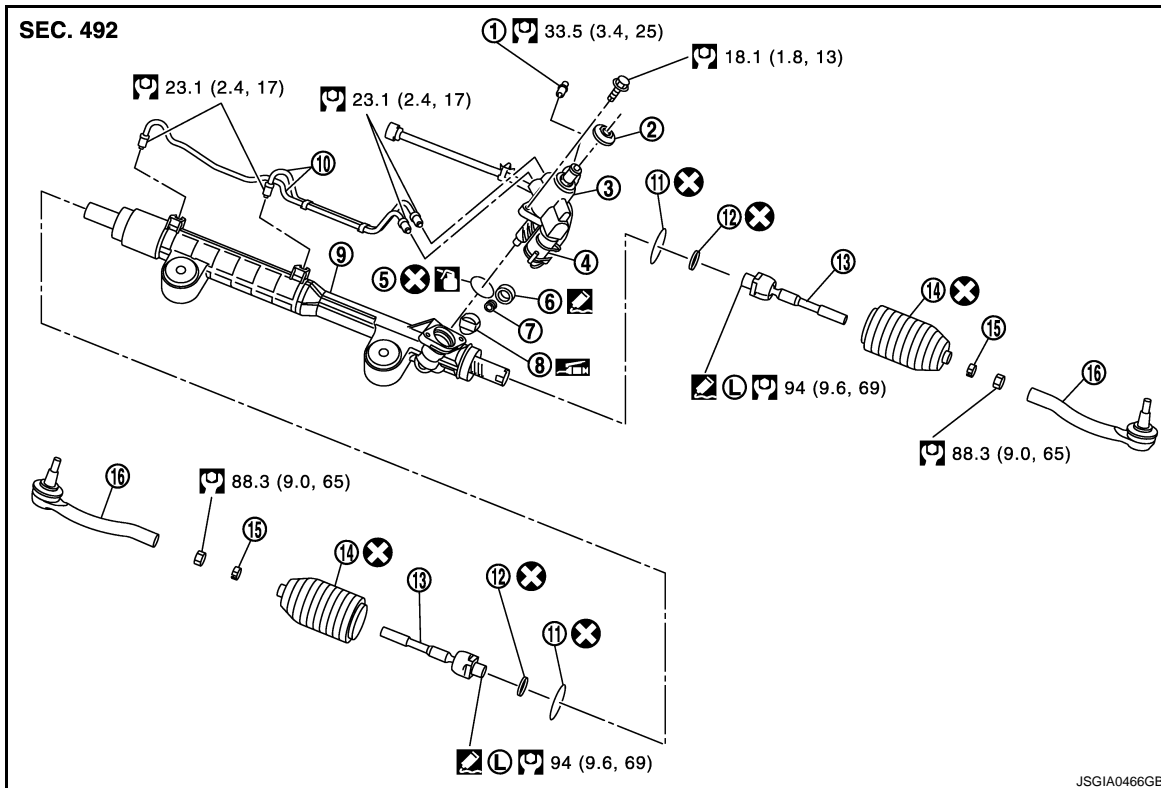


- 1. Steering gear assembly
- 2. Cotter pin
- 3. Rack stay

← Vehicle front

Refer to [GI-4. "Components"](#) for symbols in the figure.

### DISASSEMBLY



- 1. Low pressure piping
- 2. Rear cover cap
- 3. Gear-sub assembly
- 4. Power steering solenoid valve
- 5. O-ring
- 6. Adjusting screw
- 7. Spring
- 8. Retainer
- 9. Gear housing assembly





# STEERING GEAR AND LINKAGE

## < REMOVAL AND INSTALLATION >

- |                    |                                 |                |
|--------------------|---------------------------------|----------------|
| 10. Cylinder tubes | 11. Boot clamp (stainless wire) | 12. Lock plate |
| 13. Inner socket   | 14. Boot                        | 15. Boot clamp |
| 16. Outer socket   |                                 |                |

: Apply power steering fluid.

 (L): Apply Genuine Medium Strength Thread Locking Sealant or equivalent. Refer to [GI-18, "Recommended Chemical Products and Sealants"](#).

: Apply Genuine High Performance Thread Sealant or equivalent. Refer to [GI-18, "Recommended Chemical Products and Sealants"](#).

: Apply multi-purpose grease.

Refer to [GI-4, "Components"](#) for symbols not described on the above.

## Removal and Installation

INFOID:000000005631190

### REMOVAL

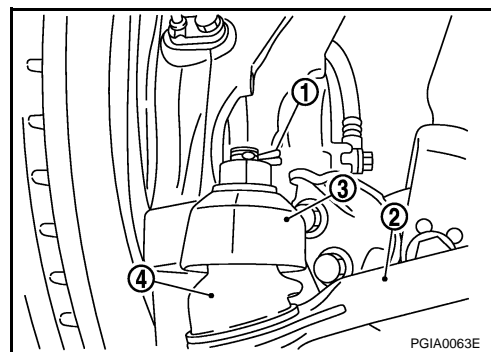
1. Set vehicle to the straight-ahead position.
2. Remove tires with a power tool.
3. Remove front suspension member stay. Refer to [FSU-17, "Exploded View"](#).
4. Remove cotter pin (1), and then loosen the nut.

5. Remove steering outer socket (2) from steering knuckle (3) so as not to damage ball joint boot (4) using suitable ball joint remover (commercial service tool).

#### CAUTION:

**Temporarily tighten the nut to prevent damage to threads and to prevent the ball joint remover from suddenly coming off.**

6. Remove high pressure piping and low pressure piping of hydraulic piping, and then drain power steering fluid.



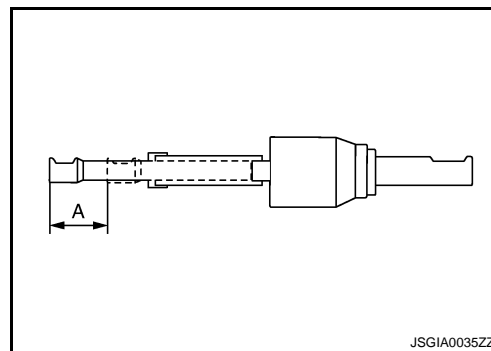
7. Remove power steering solenoid valve harness connector.
8. Remove rack stay. Refer to [ST-24, "Exploded View"](#).
9. Remove lower joint fixing bolt (steering gear side).

10. Separate the lower shaft from the steering gear assembly by sliding the side shaft (A: sliding range).

#### CAUTION:

**Spiral cable may be cut if steering wheel turns while separating steering column assembly and steering gear assembly. Be sure to secure steering wheel using string to avoid turning.**

11. Remove steering gear assembly.



### INSTALLATION

Note the following, and install in the reverse order of removal.

#### CAUTION:

**Spiral cable may be cut if steering wheel turns while separating steering column assembly and steering gear assembly. Be sure to secure steering wheel using string to avoid turning.**

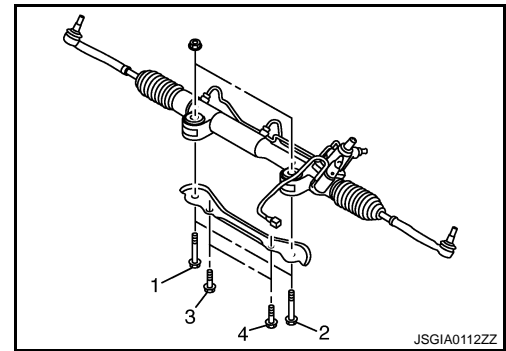
# STEERING GEAR AND LINKAGE

## < REMOVAL AND INSTALLATION >

- Tighten the mounting bolts in the order shown in the figure when installing the steering gear assembly.

Temporary tightening: 1 ⇒ 2 ⇒ 3 ⇒ 4

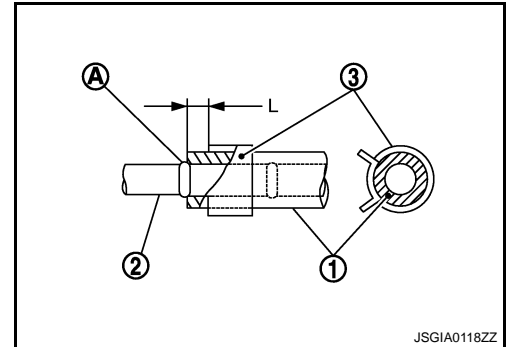
Final tightening: 1 ⇒ 2 ⇒ 3 ⇒ 4



- When installing suction hoses (1), refer to the figure.

### CAUTION:

- **Never apply fluid to the hose (1) and tube (2).**
- **Insert hose securely until it contacts spool (A) of tube.**
- **Install clamp (3) to the hose at 3 – 8 mm (0.12 – 0.31 in) (L) from the edge of the hose.**



- When installing lower joint to steering gear assembly, follow the procedure listed below.
- Set rack of steering gear in the neutral position.

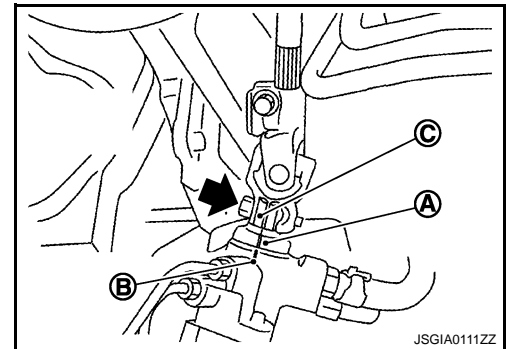
### NOTE:

To get the neutral position of rack, turn gear-sub assembly and measure the distance of inner socket, and then measure the intermediate position of the distance.

- Align rear cover cap projection (A) with the marking position of gear housing assembly (B).

← : Bolt

- Install slit part of lower joint (C) aligning with the rear cover cap projection (A). Make sure that the slit part of lower joint (C) is aligned with rear cover cap projection (A) and the marking position of gear housing assembly (B).
- After installation, bleed air from the steering hydraulic system. Refer to [ST-9. "Inspection"](#).
- Perform final tightening of nuts and bolts on each part under unladen conditions with tires on level ground when removing steering gear assembly. Check wheel alignment. Refer to [FSU-7. "Inspection"](#).
- Adjust neutral position of steering angle sensor after checking wheel alignment. Refer to [BRC-9. "ADJUSTMENT OF STEERING ANGLE SENSOR NEUTRAL POSITION : Special Repair Requirement"](#).



## Disassembly and Assembly

INFOID:000000005631191

### DISASSEMBLY

1. Remove low pressure piping.

### CAUTION:

- **Disassemble and assemble steering gear assembly by fixing the mounting area with a vise using copper plates.**
- **Clean steering gear assembly with kerosene before disassembling. Be careful to avoid splashing or applying any kerosene over connector of discharge port or return port.**

2. Remove cylinder tubes from gear housing assembly.
3. Remove rear cover cap from gear-sub assembly.

# STEERING GEAR AND LINKAGE

## < REMOVAL AND INSTALLATION >

4. Measure adjusting screw height "H", and loosen adjusting screw.

**CAUTION:**

- Never loosen adjusting screw 2 turns or more.
- Replace steering gear assembly if adjusting screw is loosened 2 turns or more and it is removed.

5. Remove gear-sub assembly from gear housing assembly.
6. Remove O-ring from gear housing assembly.
7. Loosen outer socket lock nut, and remove outer socket.
8. Remove boot clamps, and then remove boot from inner socket.

**CAUTION:**

Never damage inner socket and gear housing assembly when removing boot. Inner socket and gear housing assembly must be replaced if inner socket and gear housing assembly are damaged because it may cause foreign material interfusion.

9. Release lock with lock plate.

**CAUTION:**

Never damage rack surface.

10. Remove inner socket from gear housing assembly.

## ASSEMBLY

1. Apply recommended fluid to O-ring, and then install O-ring to gear housing assembly.
2. Install gear-sub assembly to gear housing assembly.

**CAUTION:**

In order to protect oil seal from any damage, insert sub-gear assembly out straightly.

3. Install inner socket to gear housing assembly with the following procedure.

- a. Attach lock plate to rack part of gear housing assembly.

**CAUTION:**

Never reuse the lock plate.

- b. Apply thread sealant into the thread of inner socket.

Use Genuine Medium Strength Thread Locking Sealant or equivalent. Refer to [GI-18, "Recommended Chemical Products and Sealants"](#).

- c. Screw inner socket into rack part and tighten at the specified torque.
  - d. Secure with lock plate.
4. Decide on the neutral position for the rack.

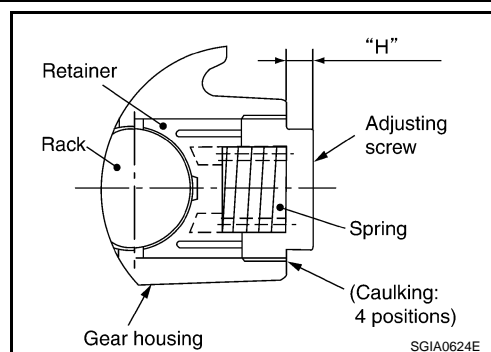
Rack stroke "L"

: Refer to [ST-46, "Rack Stroke"](#).

5. Install rear cover cap to gear sub-assembly.

**CAUTION:**

Make sure that the projection of rear cover cap is aligned with the marking position of gear housing assembly.

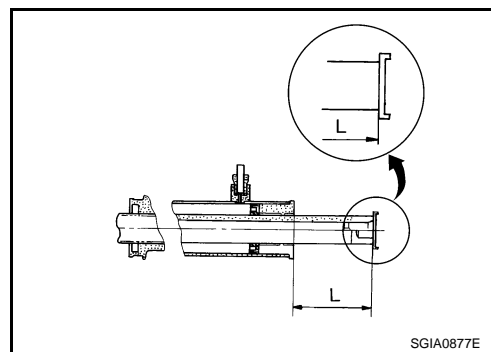


A  
B  
C  
D  
E  
F

ST

H  
I  
J

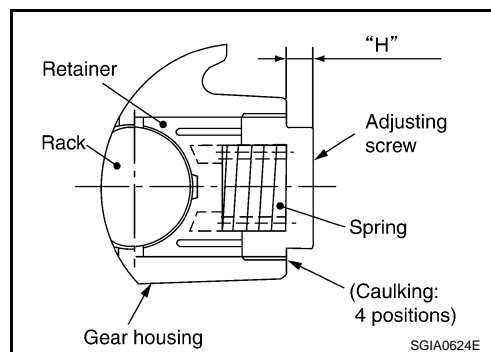
K  
L  
M  
N



6. Apply recommended thread locking sealant to the thread (2 turns thread), and then screw in the adjusting screw until it reaches height "H" from gear housing assembly measured before disassembling.

Use Genuine High Performance Thread Sealant or equivalent. Refer to [GI-18, "Recommended Chemical Products and Sealants"](#).

7. Move rack assembly 10 strokes throughout the full stroke so that the parts can fit with each other.



O  
P

# STEERING GEAR AND LINKAGE

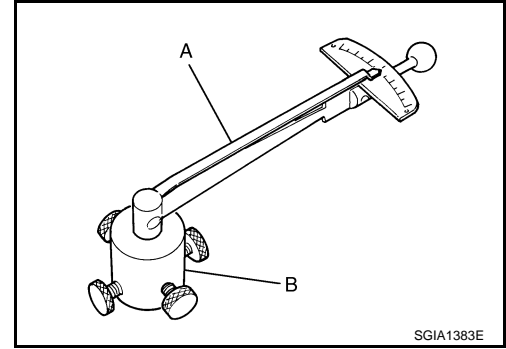
## < REMOVAL AND INSTALLATION >

8. Adjust pinion rotating torque with the following procedure.
  - a. Measure pinion rotating torque within  $\pm 180^\circ$  of neutral position of the rack assembly using Tools. Stop the gear at the point where highest torque is read.

**A: Preload gauge [SST: ST3127S000 (J-25765-A)]**

**B: Preload adapter [SST: KV48103400 ( — )]**

- b. Loosen adjusting screw and retighten to 5.4 N·m (0.55 kg·m, 48 in·lb), and then loosen by 20 to 40°.

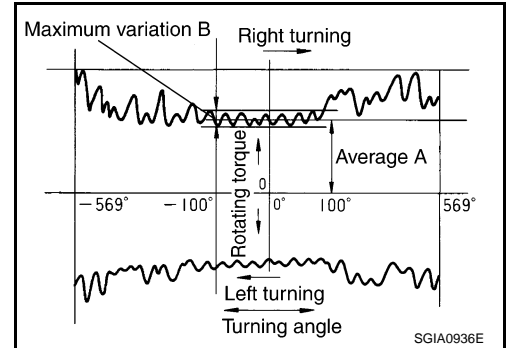


- c. Measure pinion rotating torque using Tools to make sure that the measured value is within the standard. Readjust if the value is outside the standard. Replace steering gear assembly if the value is outside the standard after readjusting or adjusting screw rotating torque is 5 N·m (0.51 kg·m, 44 in·lb) or less.

**Pinion rotating torque**

**Around neutral position (within  $\pm 100^\circ$ ) average "A"** : Refer to [ST-46, "Pinion Rotating Torque"](#)

**Maximum variation "B"** : Refer to [ST-46, "Pinion Rotating Torque"](#)



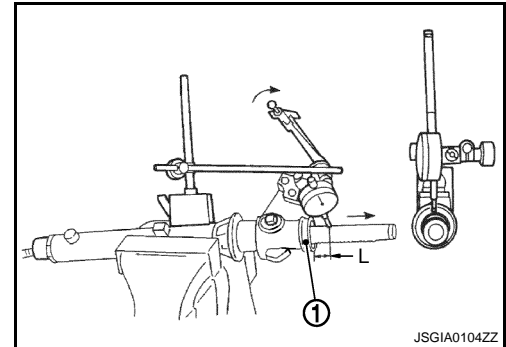
- d. Turn pinion fully to left.
  - e. Install dial gauge at 5 mm (0.20 in) (L) from the edge of gear housing assembly (1), and tooth point.
  - f. Measure vertical movement of rack assembly when pinion is turned clockwise with torque of 19.6 N·m (2.0 kg·m, 14 ft·lb). Readjust adjusting screw angle if the measured value is outside the standard.

**Vertical movement** : **0.265 mm (0.0104 in)**

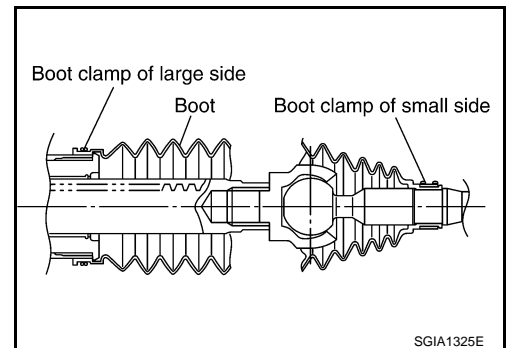
- If reading is outside of the specification, readjust screw angle with adjusting screw.

**CAUTION:**

- **If reading is still outside of specification, or if the rotating torque of adjusting screw is less than 5 N·m (0.51 kg·m, 44 in·lb), replace steering gear assembly.**
- **Never turn adjusting screw more than twice.**
- **Replace steering gear assembly when adjusting screw is removed or turned more than twice.**



9. Install large end of boot to gear housing assembly.
10. Install small end of boot to inner socket boot mounting groove.
11. Install boot clamp to boot small end.



12. Install boot clamp to the large side of boot with the following procedure.

**CAUTION:**

**Never reuse boot clamp.**

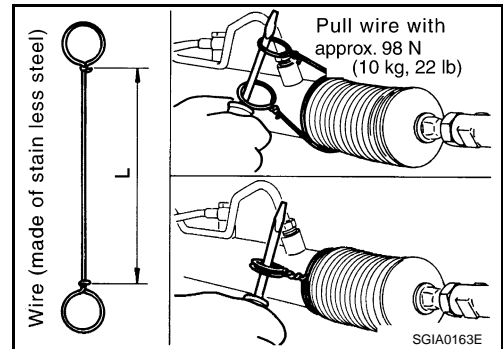
# STEERING GEAR AND LINKAGE

## < REMOVAL AND INSTALLATION >

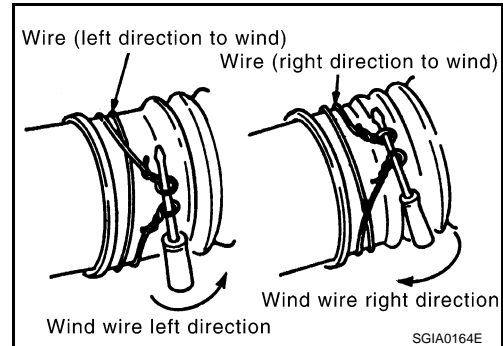
- a. Tighten large side of boot with boot clamp (stainless wire).

**Wire length "L" : 370 mm (14.57 in)**

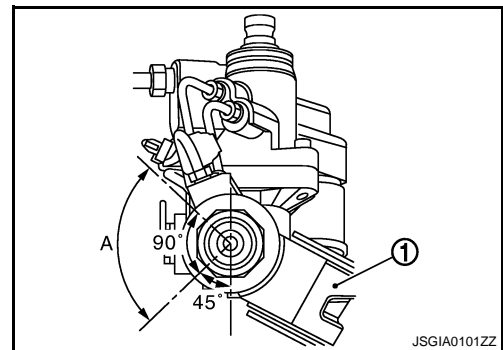
- b. Wrap clamp around boot groove for two turns. Insert a flat-bladed screwdriver in loops on both ends of wire. Twist 4 to 4.5 turns while pulling them with force of approximately 98 N (10 kg, 22 lb).



- c. Twist boot clamp as shown. Pay attention to relationship between winding and twisting directions.



- d. Twisted area (A) of clamp is in the opposite side of adjusting screw (1) as shown in the figure (to prevent contact with other parts).

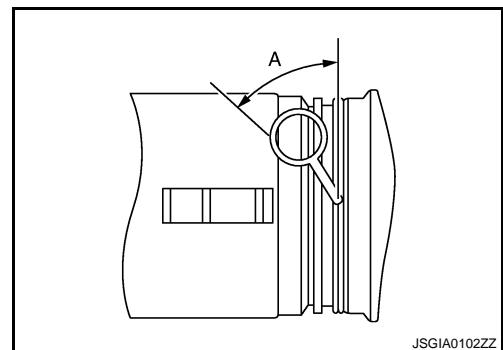


- e. Bent cut end of the wire as shown in the figure after twisting the wire 4 to 4.5 turns so that cut end does not contact with boot.

**CAUTION:**

**Keep gap from cylinder tube 5 mm (0.20 in) or more.**

**Wire angle "A" : 45°**



13. Install cylinder tubes to gear housing assembly.  
14. Install low pressure piping.

A  
B  
C  
D  
E  
F  
ST  
H  
I  
J  
K  
L  
M  
N  
O  
P

# STEERING GEAR AND LINKAGE

## < REMOVAL AND INSTALLATION >

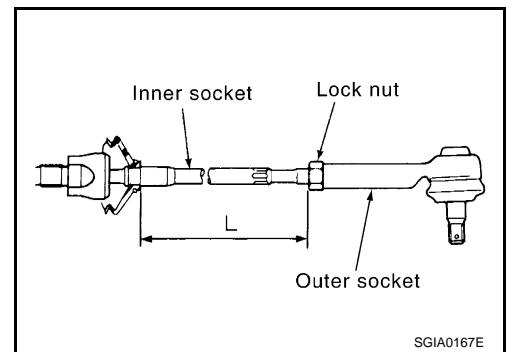
15. Adjust inner socket to standard length "L", and then tighten lock nut to the specified torque. Check length "L" again after tightening lock nut.

L

: Refer to [ST-46, "Inner Socket Length"](#).

### CAUTION:

Adjust toe-in after this procedure. The length achieved after toe-in adjustment is not necessary the above value.



INFOID:000000005631192

## Inspection

### INSPECTION AFTER DISASSEMBLY

#### Boot

- Check boot for cracks, and replace it if a malfunction is detected.

#### Rack Assembly

- Check rack for damage or wear, and replace it if a malfunction is detected.

#### Gear-Sub Assembly

- Check gear-sub assembly for damage or wear, and replace it if a malfunction is detected.
- Rotate gear-sub assembly and check for torque variation or rattle, and replace it if a malfunction is detected.

#### Gear Housing Assembly

- Check gear housing assembly for damage and scratches (inner wall). Replace if there are.

#### Outer Socket and Inner Socket

- Check the following items and replace the component if it does not meet the standard.

#### BALL JOINT SWINGING TORQUE

- Hook a spring balance at the point shown in the figure and pull the spring balance. Make sure that the spring balance reads the specified value when ball stud and inner socket start to move. Replace outer socket and inner socket if they are outside the standard.

#### Outer socket

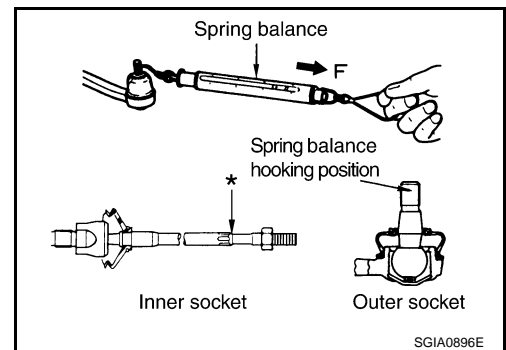
(Measuring point: Stud cotter pin mounting hole)

Spring balance measurement : Refer to [ST-46, "Socket Swing Force and Rotating Torque"](#).

#### Inner socket

(Measuring point: "\*" mark shown in the figure)

Spring balance measurement : Refer to [ST-46, "Socket Swing Force and Rotating Torque"](#).



#### BALL JOINT ROTATING TORQUE

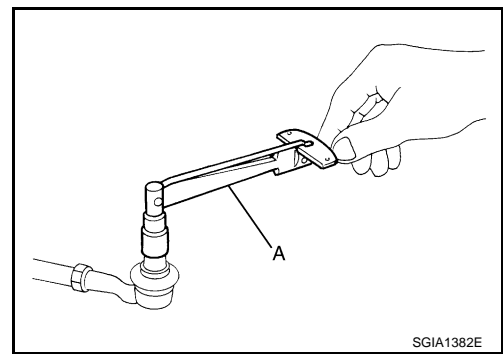
# STEERING GEAR AND LINKAGE

## < REMOVAL AND INSTALLATION >

- Make sure that the reading is within the following specified range using preload gauge (A) [SST: ST3127S000 (J-25765-A)]. Replace outer socket if the reading is outside the specified value.

**Outer socket rotating torque**

: Refer to [ST-46, "Socket Swing Force and Rotating Torque"](#).



### BALL JOINT AXIAL END PLAY

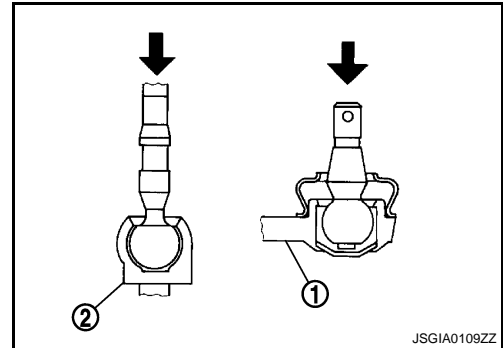
- Apply an axial load of 490 N (50 kg, 110 lb) to ball stud. Using a dial gauge, measure amount of stud movement, and then make sure that the value is within the following specified range. Replace outer socket (1) and inner socket (2) if the measured value is outside the standard.

**Outer socket**

: Refer to [ST-46, "Socket Axial End Play"](#).

**Inner socket**

: Refer to [ST-46, "Socket Axial End Play"](#).



### INSPECTION AFTER INSTALLATION

- Check if steering wheel turns smoothly when it is turned several times fully to the end of the left and right.
- Check the steering wheel play, neutral position steering wheel, steering wheel turning force, and front wheel turning angle. Refer to [ST-11, "Inspection"](#).
- Check the fluid level, fluid leakage, and air bleeding hydraulic system. Refer to [ST-9, "Inspection"](#).

A  
B  
C  
D  
E  
F  
ST  
H  
I  
J  
K  
L  
M  
N  
O  
P

# POWER STEERING OIL PUMP

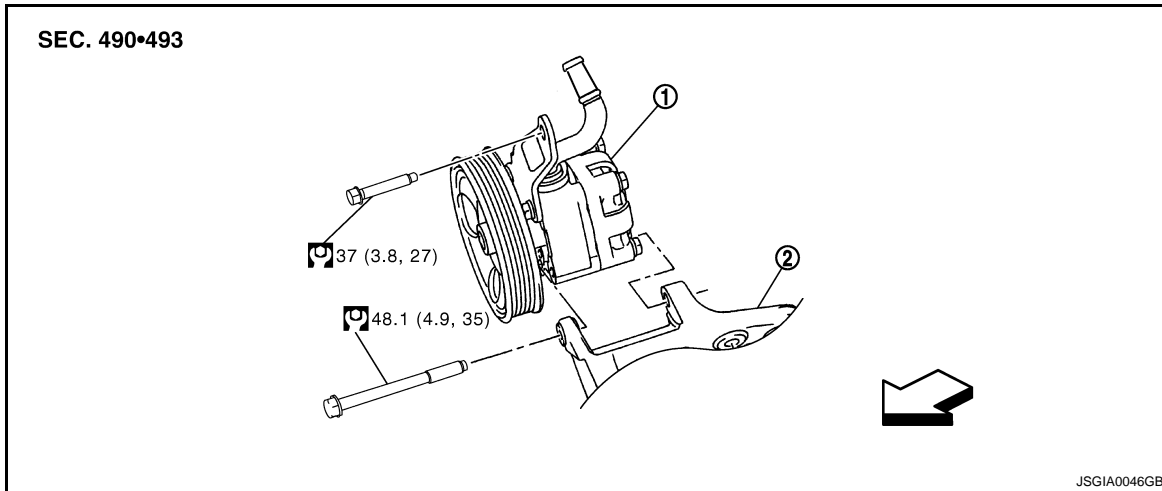
< REMOVAL AND INSTALLATION >

## POWER STEERING OIL PUMP EXCEPT FOR SPORT MODELS

EXCEPT FOR SPORT MODELS : Exploded View

INFOID:000000005631193

### REMOVAL

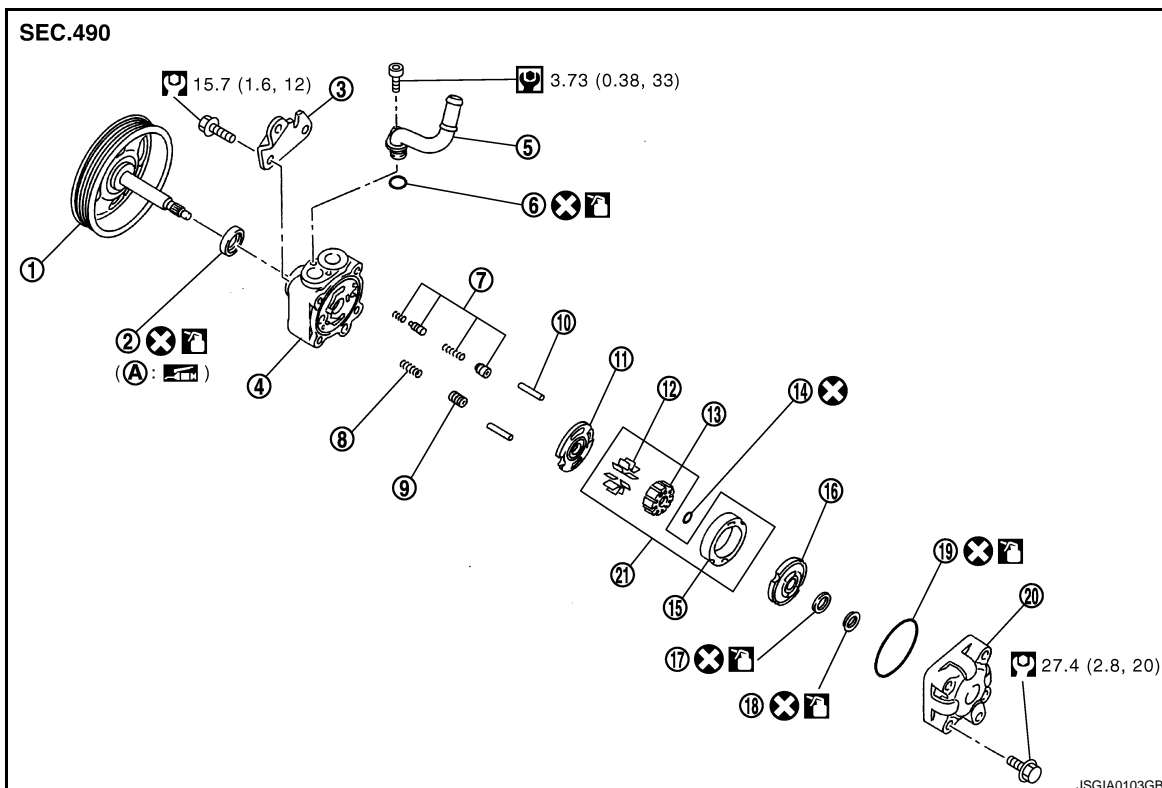


- 1. Power steering oil pump
- 2. Bracket

⇐ Vehicle front

Refer to [GI-4. "Components"](#) for symbols in the figure.

### DISASSEMBLY



- 1. Pulley
- 2. Oil seal
- 3. Bracket
- 4. Body assembly
- 5. Suction pipe
- 6. O-ring




# POWER STEERING OIL PUMP

## < REMOVAL AND INSTALLATION >

- |                                  |                              |                         |
|----------------------------------|------------------------------|-------------------------|
| 7. Flow control valve B assembly | 8. Flow control valve spring | 9. Flow control valve A |
| 10. Dowel pin                    | 11. Front side plate         | 12. Vane                |
| 13. Rotor                        | 14. Rotor snap ring          | 15. Cam ring            |
| 16. Rear side plate              | 17. O-ring                   | 18. Teflon ring         |
| 19. O-ring                       | 20. Rear cover               | 21. Cartridge           |

A: Oil seal lip

: Apply power steering fluid.

: Apply multi-purpose grease.

Refer to [GI-4, "Components"](#) for symbols not described on the above.

## EXCEPT FOR SPORT MODELS : Removal and Installation

INFOID:000000005631194

### REMOVAL

1. Drain power steering fluid from reservoir tank.
2. Remove the right half of the air cleaner and the right half of the air duct. Refer to [EM-27, "Exploded View"](#).
3. Loosen drive belt. Refer to [EM-13, "Exploded View"](#).
4. Remove drive belt from oil pump pulley.
5. Remove copper washers and eye bolt (drain fluid from their pipings).
6. Remove suction hose (drain fluid from their pipings).
7. Remove oil pump mounting bolts, and then remove oil pump.

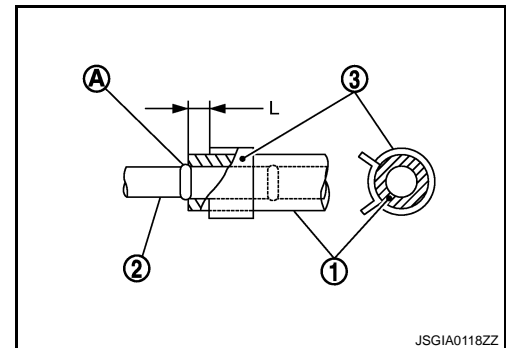
### INSTALLATION

Note the following, and install in the reverse order of removal.

- When installing suction hoses (1), refer to the figure.

#### CAUTION:

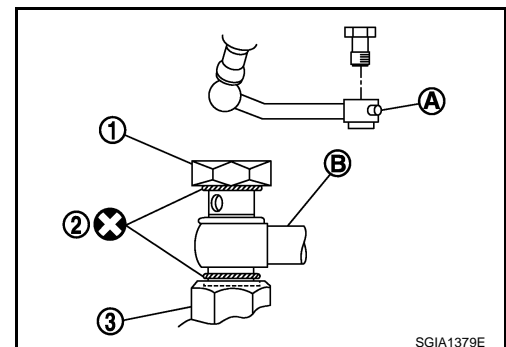
- Never apply fluid to the hose (1) and tube (2).
- Insert hose securely until it contacts spool (A) of tube.
- Install clamp (3) to the hose at 3 – 8 mm (0.12 – 0.31 in) (L) from the edge of the hose.



- When installing eye bolt (1) and copper washer (2) to oil pump (3), refer to the figure.

#### CAUTION:

- Never reuse copper washer.
- Apply power steering fluid to around copper washer, then install eye-bolt.
- Install eye-bolt with eye-joint (assembled to high pressure hose) (B) protrusion (A) facing with pump side cutout, and then tighten it to the specified torque after tightening by hand. Refer to [ST-43, "Exploded View"](#).
- Securely insert harness connector to pressure sensor.
- Adjust belt tension. Refer to [EM-13, "Tension Adjustment"](#).
- Check fluid level, fluid leakage and air bleeding hydraulic system after the installation. Refer to [ST-9, "Inspection"](#).



## EXCEPT FOR SPORT MODELS : Disassembly and Assembly

INFOID:000000005631195

### DISASSEMBLY

1. Remove rear cover mounting bolts, and then remove rear cover from body assembly.

#### CAUTION:

- Fix oil pump with a vise if necessary.

# POWER STEERING OIL PUMP

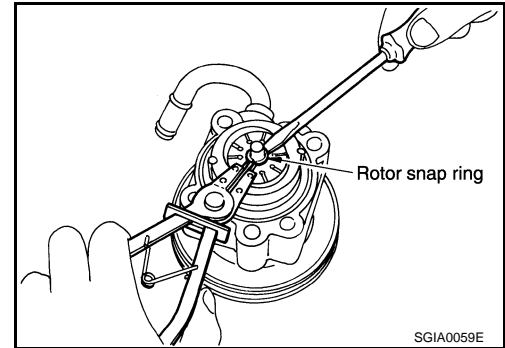
## < REMOVAL AND INSTALLATION >

- Use copper plates when fixing with a vise.

2. Remove O-ring from body assembly.
3. Remove rear side plate from cartridge, and then remove Teflon ring and O-ring from rear side plate.
4. Remove rotor snap ring using a snap ring plier, and remove pulley from body assembly.

**CAUTION:**

Remove pulley so as not to be damaged when removing rotor snap ring.

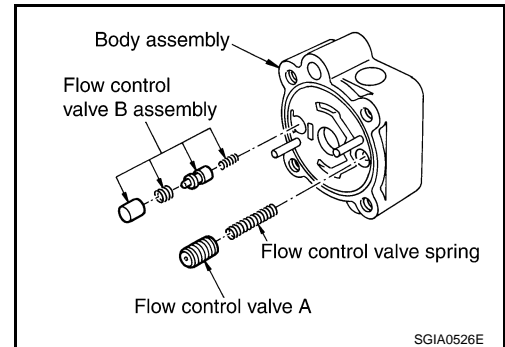


5. Remove cartridge, front side plate, flow control valve A, flow control valve spring and flow control valve B assembly from body assembly.

**CAUTION:**

Never drop and damage flow control valve A and flow control valve B assembly when removing.

6. Remove oil seal from body assembly.
7. Remove mounting bolt of suction pipe, and then remove suction pipe from body assembly.
8. Remove O-ring from body assembly.
9. Remove bracket mounting bolts, and then remove bracket from body assembly.



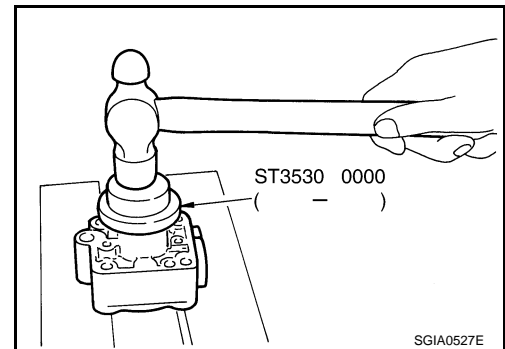
## ASSEMBLY

1. Apply recommended grease to oil seal lips. Apply recommended fluid to around oil seal, and then install oil seal to body assembly using a drift [SST: ST35300000 ( — )]

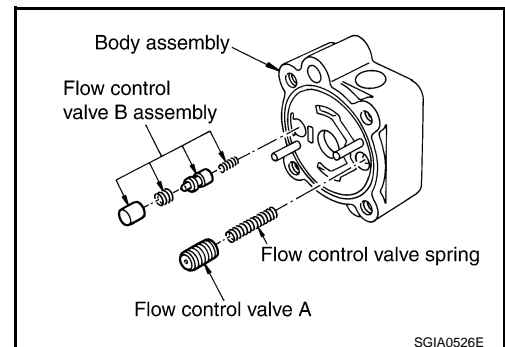
**CAUTION:**

- Fix oil pump with a vise if necessary.
- Use copper plates when fixing with a vise.

2. Install bracket to body assembly.
3. If dowel pin has been removed, insert it into body assembly by hand. If it cannot be inserted by hand, lightly tap with a hammer.



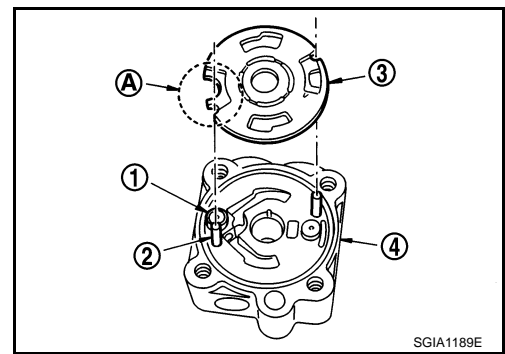
4. Install flow control valve A, flow control valve spring and flow control valve B assembly as shown in the figure.



# POWER STEERING OIL PUMP

## < REMOVAL AND INSTALLATION >

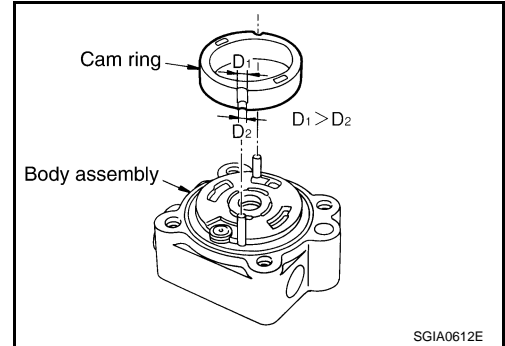
5. Install front side plate (3) with dowel pin (2) on flow control valve A (1) side as shown in the figure aligning with front side plate cutout (A) to body assembly (4).



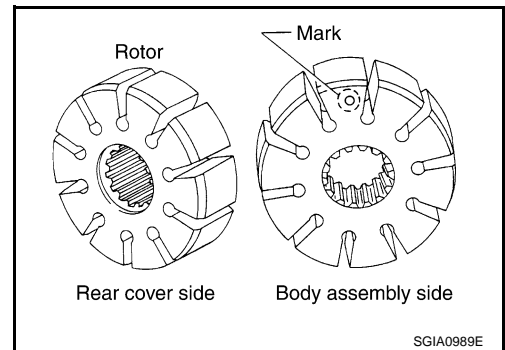
6. Install cam ring as shown in the figure.  
7. Install pulley to body assembly.

**CAUTION:**

**Never damage oil seal when installing pulley.**



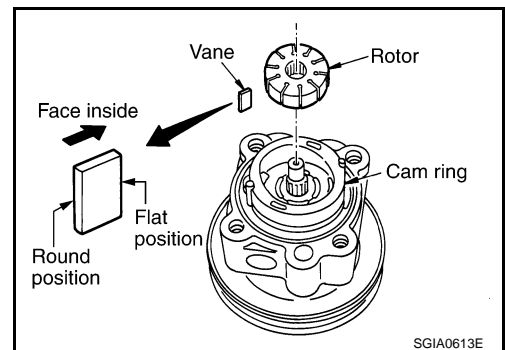
8. Install rotor so that mark faces body assembly, and then install it to pulley shaft.



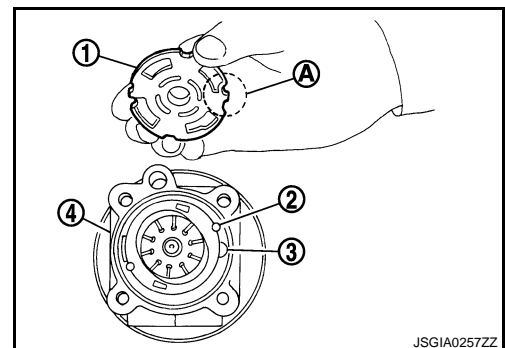
9. Install vane to rotor so that arc of vane faces cam ring side.  
10. Install rotor snap ring to slit of pulley shaft using a hammer and a drift (commercial service tool).

**CAUTION:**

- Never damage rotor and pulley shaft.
- Oil pump assembly must be replaced if rotor is damaged.



11. Install rear side plate (1) with dowel pin (2) on flow control valve A (3) side as shown in the figure aligning with rear side plate cutout (A) to cartridge.  
12. Apply recommended fluid to O-ring, and then install O-ring to body assembly (4).  
13. Apply recommended fluid to O-ring, and then install O-ring to rear side plate.  
14. Apply recommended fluid to Teflon ring, and then install Teflon ring to rear side plate.  
15. Install rear cover to body assembly.



A  
B  
C  
D  
E  
F  
ST  
H  
I  
J  
K  
L  
M  
N  
O  
P

# POWER STEERING OIL PUMP

## < REMOVAL AND INSTALLATION >

16. Apply recommended fluid to O-ring, and then install O-ring to body assembly.
17. Install suction pipe to body assembly.

## EXCEPT FOR SPORT MODELS : Inspection

INFOID:000000005631196

## RELIEF OIL PRESSURE

### CAUTION:

Make sure that belt tension is normal before starting the following procedure.

1. Connect the oil pressure gauge [SST: KV48103500 (J-26357)] and the oil pressure gauge adapter [SST: KV48102500 (J-33914)] between oil pump discharge connector and high-pressure hose. Bleed air from the hydraulic circuit while opening valve fully. Refer to [ST-9, "Inspection"](#).
2. Start engine. Run engine until oil temperature reaches 50 to 80°C (122 to 176°F).

### CAUTION:

- Leave the valve of the oil pressure gauge fully open while starting and running engine. If engine is started with the valve closed, the hydraulic pressure in oil pump goes up to the relief pressure along with unusual increase of oil temperature.
- Be sure to keep hose clear of belts and other parts when engine is started.

3. Fully close the oil pressure gauge valve with engine at idle and measure the relief oil pressure.

Relief oil pressure

: Refer to [ST-47, "Relief Oil Pressure"](#).

### CAUTION:

Never keep valve closed for 10 seconds or longer.

4. Open the valve slowly after measuring. Repair oil pump if the relief oil pressure is outside the standard. Refer to [ST-33, "EXCEPT FOR SPORT MODELS : Disassembly and Assembly"](#).

5. Disconnect the oil pressure gauge from hydraulic circuit.

6. When installing eye bolt (1) and copper washer (2) to oil pump (3), refer to the figure.

### CAUTION:

- Never reuse copper washer.
- Apply power steering fluid or equivalent to around copper washer, then install eye-bolt.
- Install eye-bolt with eye-joint (assembled to high pressure hose) (A) protrusion (A) facing with pump side cutout, and then tighten it to the specified torque after tightening by hand. Refer to [ST-43, "Exploded View"](#).
- Securely insert harness connector to pressure sensor.

7. Check fluid level, fluid leakage and air bleeding hydraulic system after the installation. Refer to [ST-9, "Inspection"](#).

## BEFORE DISASSEMBLY

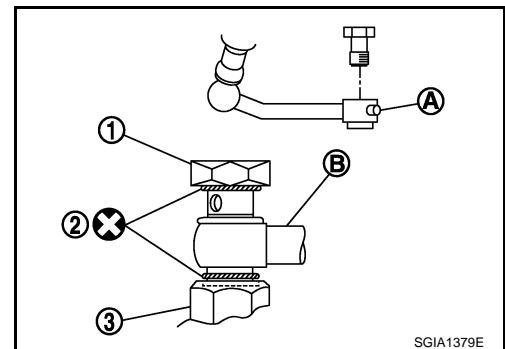
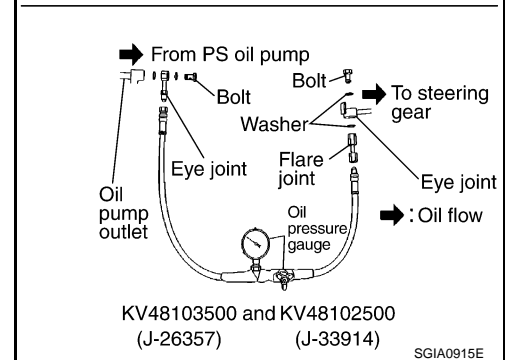
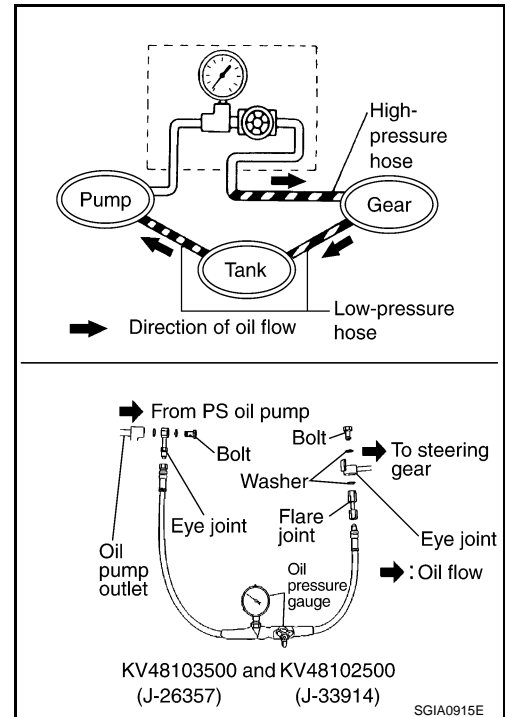
Disassemble oil pump only when the following malfunctions occur.

- If oil leakage is found on oil pump.
- Oil pump pulley is damaged or deformed.
- Performance of oil pump is low.

## AFTER DISASSEMBLY

Body Assembly and Rear Cover Inspection

- Check body assembly and rear cover for internal damage. Replace rear cover if it is damaged. Replace oil pump assembly if body assembly is damaged.



# POWER STEERING OIL PUMP

## < REMOVAL AND INSTALLATION >

### Cartridge Assembly Inspection

- Check cam ring, rotor and vane for damage. Replace cartridge assembly if there are.

### Side Plate Inspection

- Check side plate for damage. Replace side plate if there are.

### Flow Control Valve Inspection

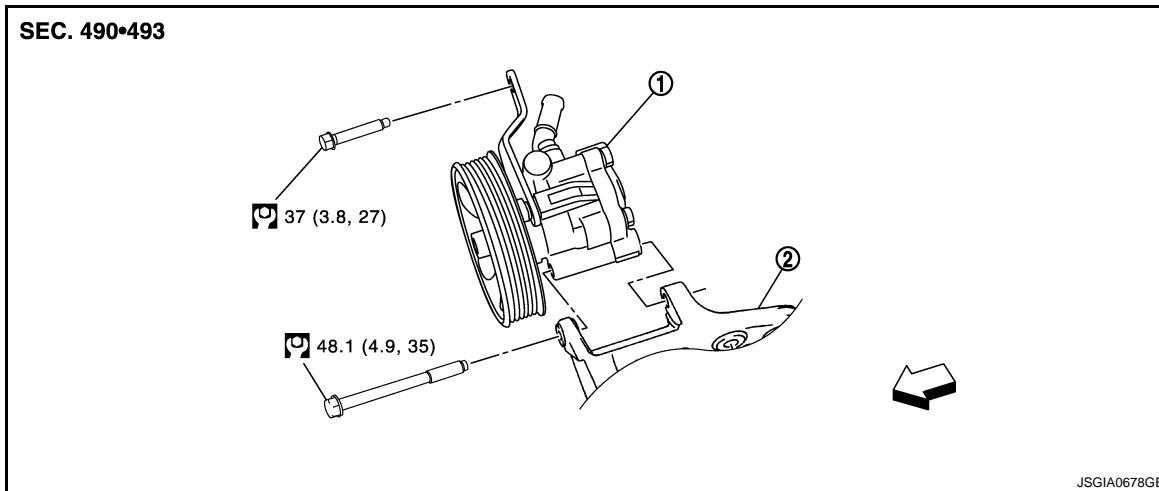
- Check flow control valve and spring for damage. Replace if there are.

## SPORT MODELS

### SPORT MODELS : Exploded View

INFOID:000000005631197

### REMOVAL



1. Power steering oil pump
2. Bracket

←: Vehicle front

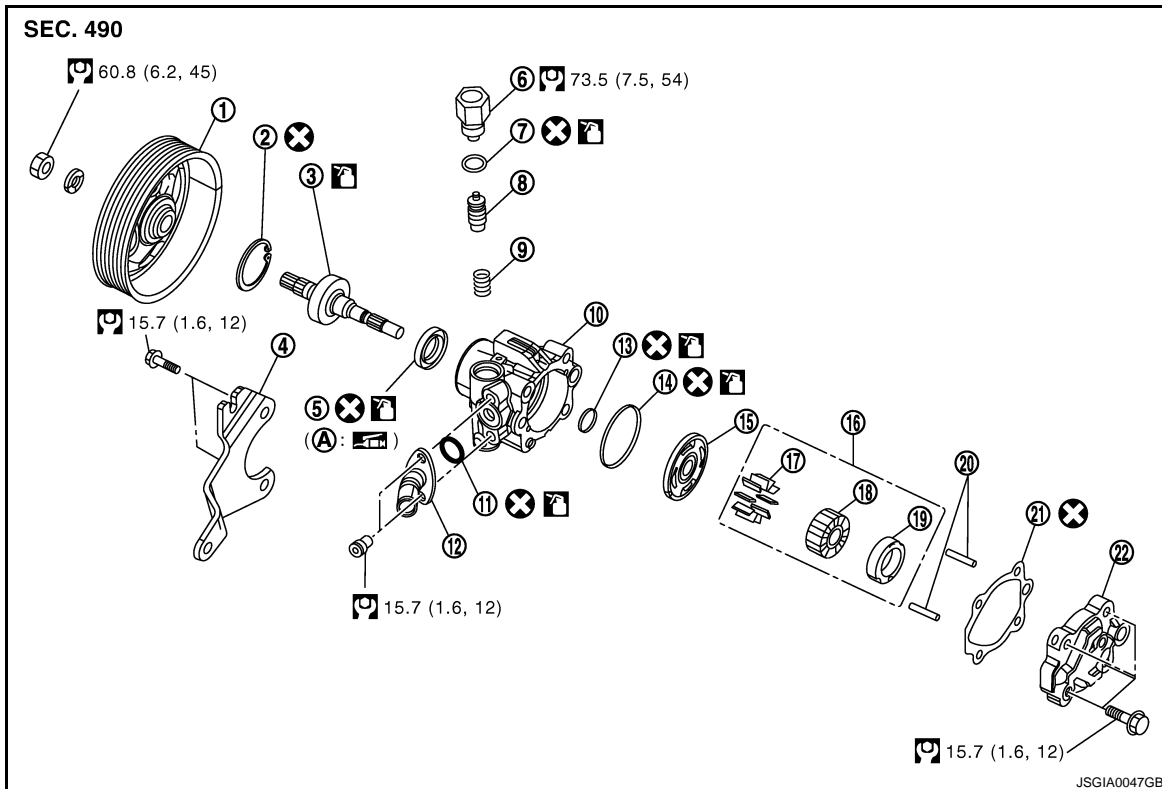
Refer to [GI-4. "Components"](#) for symbols in the figure.

### DISASSEMBLY

A  
B  
C  
D  
E  
F  
ST  
H  
I  
J  
K  
L  
M  
N  
O  
P

# POWER STEERING OIL PUMP


## < REMOVAL AND INSTALLATION >



- |                   |                       |                         |
|-------------------|-----------------------|-------------------------|
| 1. Pulley         | 2. Snap ring          | 3. Drive shaft assembly |
| 4. Bracket        | 5. Oil seal           | 6. Connector bolt       |
| 7. O-ring         | 8. Flow control valve | 9. Spring               |
| 10. Body assembly | 11. O-ring            | 12. Suction pipe        |
| 13. O-ring        | 14. O-ring            | 15. Side plate          |
| 16. Cartridge     | 17. Vane              | 18. Rotor               |
| 19. Cam ring      | 20. Dowel pin         | 21. Gasket              |
| 22. Rear cover    |                       |                         |

A: Oil seal lip

: Apply power steering fluid.

: Apply multi-purpose grease.

Refer to [GI-4. "Components"](#) for symbols not described on the above.

## SPORT MODELS : Removal and Installation

INFOID:000000005631198

### REMOVAL

1. Drain power steering fluid from reservoir tank.
2. Remove the right half of the air cleaner and the right half of the air duct. Refer to [EM-27. "Exploded View"](#).
3. Loosen drive belt. Refer to [EM-13. "Exploded View"](#).
4. Remove drive belt from oil pump pulley.
5. Remove copper washers and eye bolt (drain fluid from their pipings).
6. Remove suction hose (drain fluid from their pipings).
7. Remove oil pump mounting bolts, and then remove oil pump.

### INSTALLATION

Note the following, and install in the reverse order of removal.

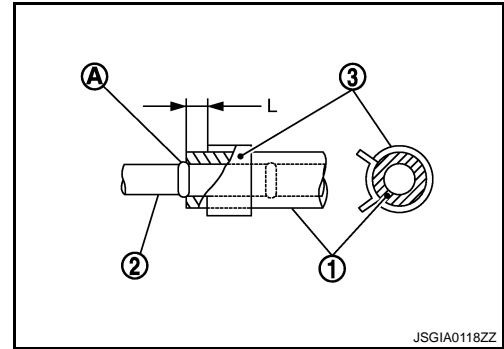
# POWER STEERING OIL PUMP

## < REMOVAL AND INSTALLATION >

- When installing suction hose (1), refer to the figure.

**CAUTION:**

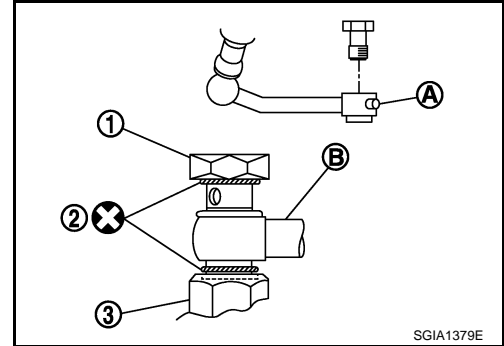
- Never apply fluid to the hose (1) and tube (2).
- Insert hose securely until it contacts spool (A) of tube.
- Install clamp (3) to the hose at 3 – 8 mm (0.12 – 0.31 in) (L) from the edge of the hose.



- When installing eye bolt (1) and copper washer (2) to oil pump (3), refer to the figure.

**CAUTION:**

- Never reuse copper washer.
- Apply power steering fluid to around copper washer, then install eye-bolt.
- Install eye-bolt with eye-joint (assembled to high pressure hose) (B) protrusion (A) facing with pump side cutout, and then tighten it to the specified torque after tightening by hand. Refer to [ST-43, "Exploded View"](#).
- Securely insert harness connector to pressure sensor.
- Adjust belt tension. Refer to [EM-13, "Tension Adjustment"](#).
- Check fluid level, fluid leakage and air bleeding hydraulic system after the installation. Refer to [ST-9, "Inspection"](#).



## SPORT MODELS : Disassembly and Assembly

INFOID:000000005631199

### DISASSEMBLY

- Remove rear cover mounting bolts and then remove rear cover from body assembly.

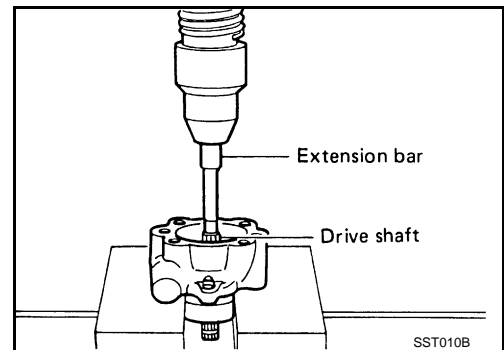
**CAUTION:**

- Fix oil pump with a vise if necessary.
- Use copper plates when fixing with a vise.

- Remove gasket from body assembly.
- Remove dowel pin, cartridge and side plate from body assembly.
- Remove pulley mounting nut and then remove pulley from drive shaft.
- Remove bracket mounting bolts and then remove bracket from body assembly.
- Remove snap ring from drive shaft assembly and press out it.

**CAUTION:**

When removing the snap ring, never damage the drive shaft assembly.



# POWER STEERING OIL PUMP

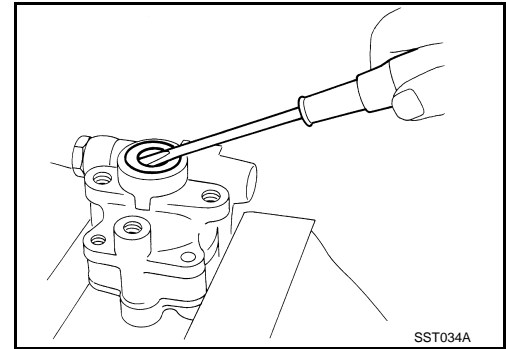
## < REMOVAL AND INSTALLATION >

- Remove oil seal from body assembly using a flat-bladed screwdriver.

**CAUTION:**

**Never damage the body assembly.**

- Remove O-rings from body assembly.

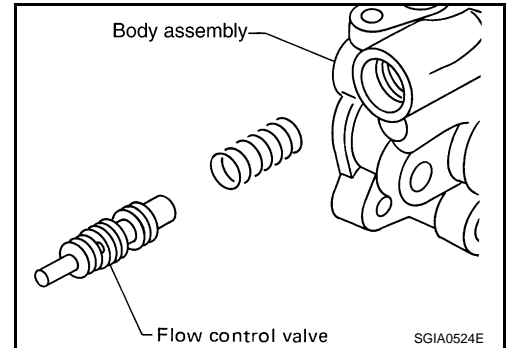


- Remove connector bolt and O-ring, then pull out flow control valve and spring from body assembly.

**CAUTION:**

**Never drop and deform the flow control valve.**

- Remove fixing bolts of suction pipe, and then remove suction pipe from body assembly.
- Remove O-ring for suction pipe.



## ASSEMBLY

- Apply recommended grease to oil seal lips (1). Apply recommended fluid to around oil seal. Install oil seal to body assembly using a drift (commercial service tool).

**CAUTION:**

- **Never reuse the oil seal.**
- **Fix oil pump with a vise if necessary.**
- **Use copper plates when fixing with a vise.**

- Apply recommended fluid to drive shaft, and press drive shaft into body assembly, then install snap ring.

**CAUTION:**

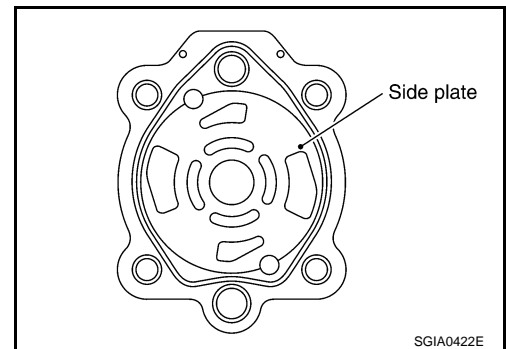
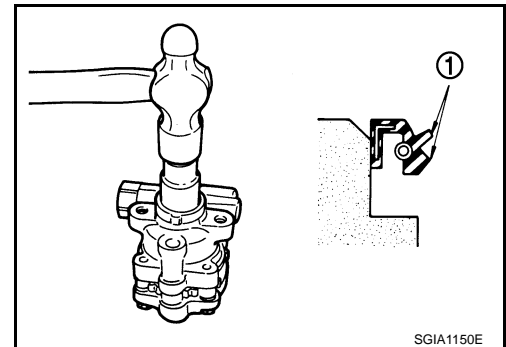
**Never reuse the snap ring.**

- Apply recommended fluid to O-ring, and install O-ring into body assembly.

**CAUTION:**

**Never reuse the O-ring.**

- Install side plate to body assembly.





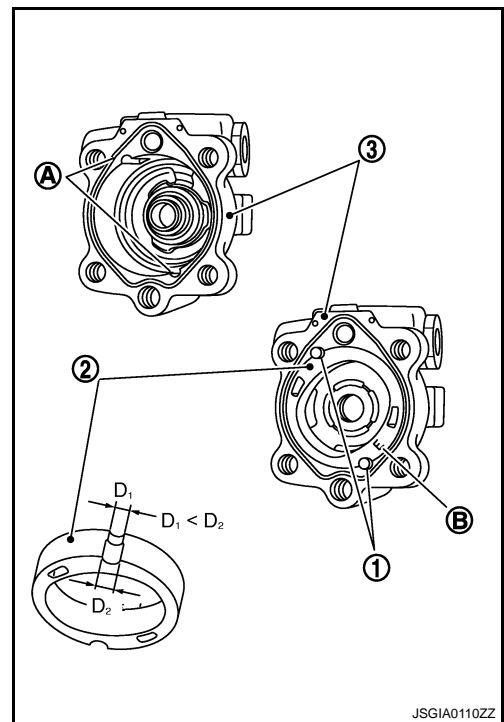
# POWER STEERING OIL PUMP

## < REMOVAL AND INSTALLATION >

- Install dowel pin (1) into dowel pin hole (A), and install cam ring (2) pointing it's D1 side toward the body assembly (3) side as shown in the figure.

**CAUTION:**

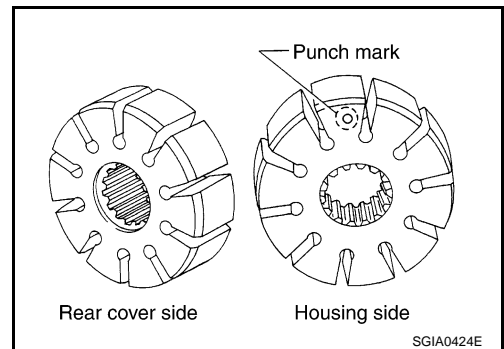
- When installing the cam-ring, turn carved face with a letter "E" (B) of it to the rear cover.
- Never confuse the assembling direction of the cam ring. If cam ring is installed facing the incorrect direction, it may cause pump operation malfunction.



- Install rotor to body assembly.

**CAUTION:**

When installing the rotor, turn punch mark face on rotor to body assembly.



- Install vane to rotor so that arc of vane faces cam ring side.
- Check if drive shaft assembly turns smoothly.
- Install gasket to body assembly.

**CAUTION:**

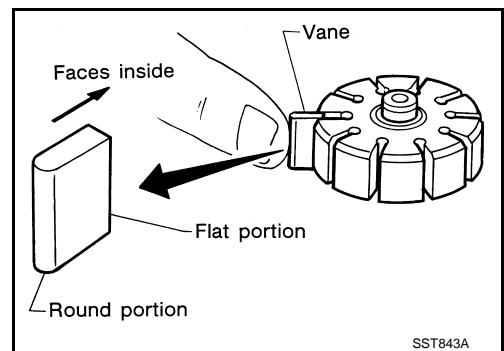
Never reuse the gasket.

- Install rear cover to body assembly.
- Install bracket to body assembly.
- Install pulley and washer to drive shaft.
- Install spring and flow control valve to body assembly.
- Apply recommended fluid to O-ring, and then install O-ring to connector bolt.

**CAUTION:**

Never reuse the O-ring.

- Install connector bolt to body assembly.
- Install suction pipe to body assembly.



## SPORT MODELS : Inspection

INFOID:000000005631200

## RELIEF OIL PRESSURE

**CAUTION:**

Make sure that belt tension is normal before starting the following procedure.

# POWER STEERING OIL PUMP

## < REMOVAL AND INSTALLATION >

1. Connect the oil pressure gauge [SST: KV48103500 (J-26357)] and the oil pressure gauge adapter [SST: KV48102500 (J-33914)] between oil pump discharge connector and high-pressure hose. Bleed air from the hydraulic circuit while opening valve fully. Refer to [ST-9, "Inspection"](#).
2. Start engine. Run engine until oil temperature reaches 50 to 80°C (122 to 176°F).

**CAUTION:**

- Leave the valve of the oil pressure gauge fully open while starting and running engine. If engine is started with the valve closed, the hydraulic pressure in oil pump goes up to the relief pressure along with unusual increase of oil temperature.
- Be sure to keep hose clear of belts and other parts when engine is started.

3. Fully close the oil pressure gauge valve with engine at idle and measure the relief oil pressure.

Relief oil pressure

: Refer to [ST-47, "Relief Oil Pressure"](#).

**CAUTION:**

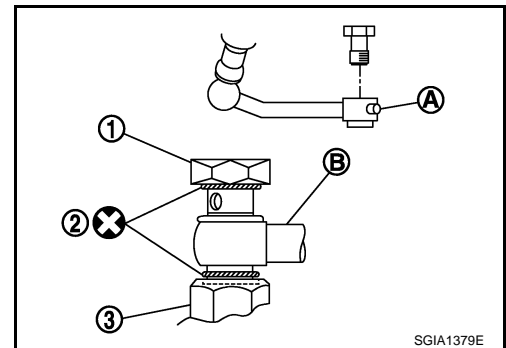
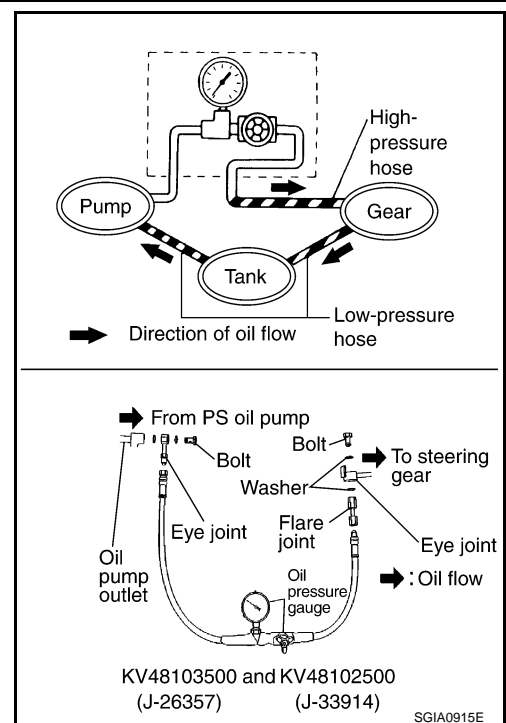
Never keep valve closed for 10 seconds or longer.

4. Open the valve slowly after measuring. Repair oil pump if the relief oil pressure is outside the standard. Refer to [ST-39, "SPORT MODELS : Disassembly and Assembly"](#).
5. Disconnect the oil pressure gauge from hydraulic circuit.
6. When installing eye bolt (1) and copper washer (2) to oil pump (3), refer to the figure.

**CAUTION:**

- Never reuse copper washer.
- Apply power steering fluid or equivalent to around copper washer, then install eye-bolt.
- Install eye-bolt with eye-joint (assembled to high pressure hose) (B) protrusion (A) facing with pump side cutout, and then tighten it to the specified torque after tightening by hand. Refer to [ST-43, "Exploded View"](#).
- Securely insert harness connector to pressure sensor.

7. Check fluid level, fluid leakage and air bleeding hydraulic system after the installation. Refer to [ST-9, "Inspection"](#).



### BEFORE DISASSEMBLY

Disassemble oil pump only when the following malfunctions occur.

- If oil leakage is found on oil pump.
- Oil pump pulley is damaged or deformed.
- Performance of oil pump is low.

### AFTER DISASSEMBLY

#### Body Assembly and Rear Cover Inspection

- Check body assembly and rear cover for internal damage. Replace rear cover if it is damaged. Replace oil pump assembly if body assembly is damaged.

#### Cartridge Assembly Inspection

- Check cam ring, rotor and vane for damage. Replace cartridge assembly if there are.

#### Side Plate Inspection

- Check side plate for damage. Replace side plate if there are.

#### Flow Control Valve Inspection

- Check flow control valve and spring for damage. Replace if there are.

# HYDRAULIC LINE

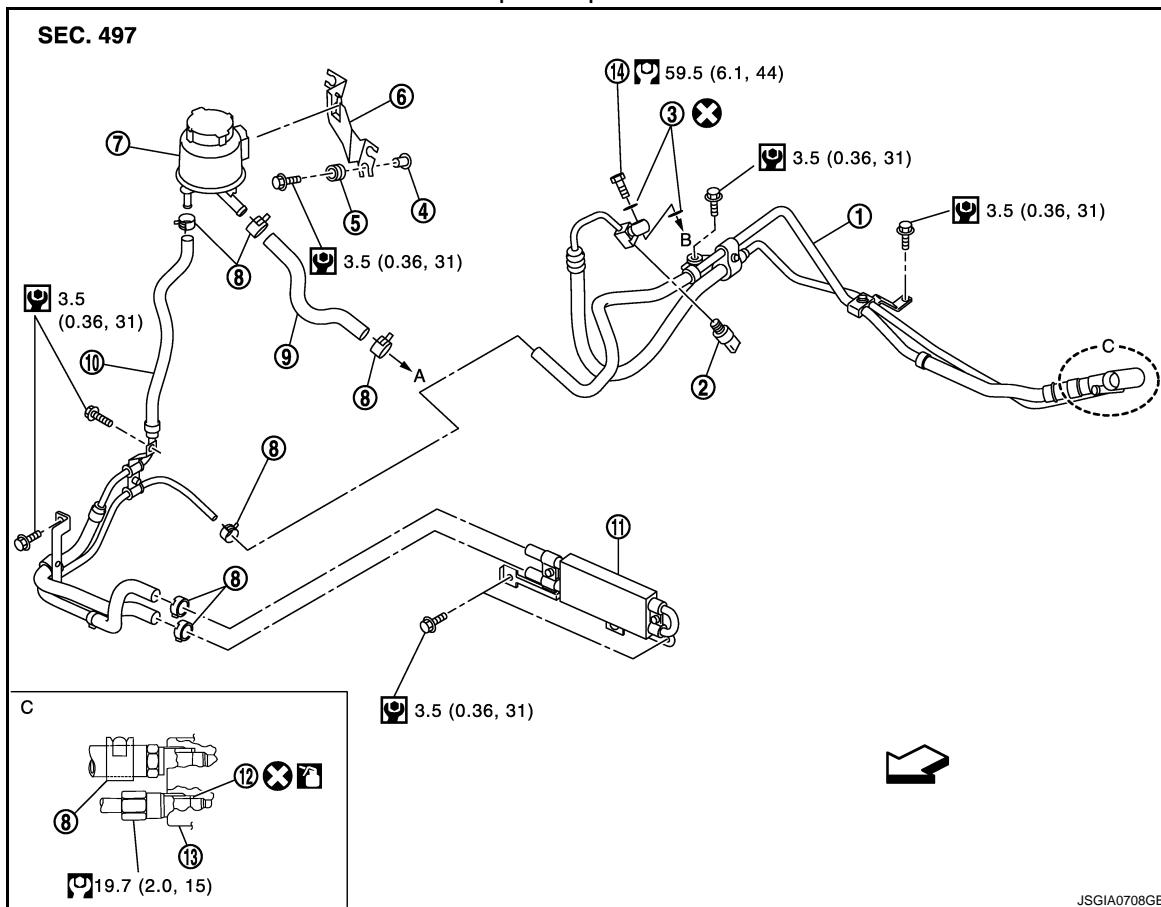
< REMOVAL AND INSTALLATION >

## HYDRAULIC LINE

Exploded View

INFOID:000000005631201

Except for sport models



- |   |                    |                           |
|---|--------------------|---------------------------|
| 1. High pressure piping and low pressure piping | 2. Pressure sensor | 3. Copper washer          |
| 4. Collar                                       | 5. Bushing         | 6. Reservoir tank bracket |
| 7. Reservoir tank                               | 8. Clamp           | 9. Suction hose           |
| 10. Return hose                                 | 11. Oil cooler     | 12. O-ring                |
| 13. Gear-sub assembly                           | 14. Eye bolt       |                           |
- A. To power steering oil pump suction hose.  
B. To power steering oil pump.

← Vehicle front

: Apply power steering fluid.

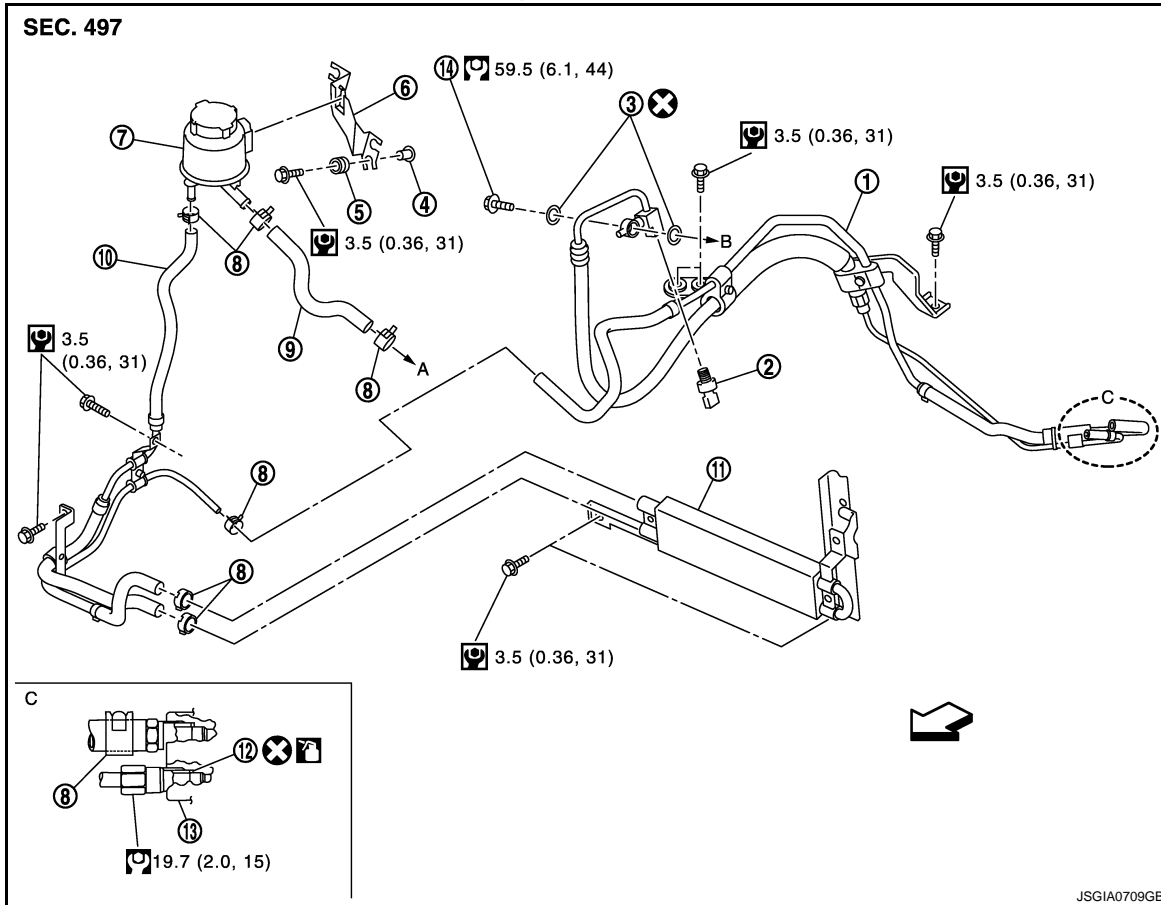
Refer to [Gl-4, "Components"](#) for symbols not described on the above.

A  
B  
C  
D  
E  
F  
ST  
H  
I  
J  
K  
L  
M  
N  
O  
P

# HYDRAULIC LINE


< REMOVAL AND INSTALLATION >

Sport models



- |   |                    |                           |
|---|--------------------|---------------------------|
| 1. High pressure piping and low pressure piping | 2. Pressure sensor | 3. Copper washer          |
| 4. Collar                                       | 5. Bushing         | 6. Reservoir tank bracket |
| 7. Reservoir tank                               | 8. Clamp           | 9. Suction hose           |
| 10. Return hose                                 | 11. Oil cooler     | 12. O-ring                |
| 13. Gear-sub assembly                           | 14. Eye bolt       |                           |
- A. To power steering oil pump suction hose.  
B. To power steering oil pump.

↔: Vehicle front

: Apply power steering fluid.

Refer to [GI-4. "Components"](#) for symbols not described on the above.

# SERVICE DATA AND SPECIFICATIONS (SDS)

< SERVICE DATA AND SPECIFICATIONS (SDS)

## SERVICE DATA AND SPECIFICATIONS (SDS)

### SERVICE DATA AND SPECIFICATIONS (SDS)

#### General Specifications

INFOID:0000000005631202

Steering gear model	PR26AF
Fluid capacity (Approx.) ℓ (US qt, Imp qt)	1.0 (1-1/8, 7/8)

#### Steering Wheel Axial End Play and Play

INFOID:0000000005631203

Unit: mm (in)

Item	Standard
Steering wheel axial end play	0 (0)
Steering wheel play on the outer circumference	0 – 35 (0 – 1.38)

#### Steering Wheel Turning Force

INFOID:0000000005631204

Unit: N·m (kg·m, in·lb)

Item	Standard
Steering wheel turning force	7.45 (0.76, 66)

#### Steering Angle

INFOID:0000000005631205

Unit: Degree minute (Decimal degree)

Item		Standard
Inner wheel	Minimum	36°45' (36.8°)
	Nominal	39°45' (39.8°)
	Maximum	40°45' (40.8°)
Outer wheel	Nominal	33°30' (33.5°)

#### Steering Column Length

INFOID:0000000005631206

Unit: mm (in)

Item	Standard
Column length	513.7 – 517.7 (20.22 – 20.38)

#### Steering Column Mounting Dimensions

INFOID:0000000005631207

Unit: mm (in)

Item	Standard
Mounting dimension	30 – 32 (1.18 – 1.26)

#### Steering Column Operating Range

INFOID:0000000005631208

Item	Standard
Tilt operating range	65 mm (2.56 in)
Telescopic operating range	47 mm (1.85 in)
Rotating torque	0.49 N·m (0.05 kg·m, 4 in·lb)

# SERVICE DATA AND SPECIFICATIONS (SDS)

## < SERVICE DATA AND SPECIFICATIONS (SDS)

### Lower Shaft Sliding Range

INFOID:000000005631209

Unit: mm (in)

Item	Standard
Sliding range	56 (2.2)

### Rack Sliding Force

INFOID:000000005631210

Unit: N (kg, lb)

Item	Standard	
Rack sliding force	Except for sport models	195 – 258 (19.9 – 26.3, 43.9 – 57.9)
	Sport models	195 – 295 (19.9 – 30.0, 43.9 – 66.3)

### Rack Stroke

INFOID:000000005631211

Unit: mm (in)

Item	Standard
Rack neutral position, dimension	69.0 (2.717)

### Socket Swing Force and Rotating Torque

INFOID:000000005631212

#### SWING FORCE

Unit: N (kg, lb)

Item	Spring balance
Outer socket	1.5 – 42.7 (0.2 – 4.3, 0.34 – 9.5)
Inner socket	1.4 – 105.4 (0.15 – 10.8, 0.31 – 23.7)

#### ROTATING TORQUE

Unit: N·m (kg·m, in·lb)

Item	Standard
Outer socket	0.1 – 2.9 (0.01 – 0.29, 1 – 25)

### Socket Axial End Play

INFOID:000000005631213

Unit: mm (in)

Item	Standard
Outer socket	0.5 (0.02) or less
Inner socket	0.2 (0.008) or less

### Inner Socket Length

INFOID:000000005631214

Unit: mm (in)

Item	Standard
Rack neutral position, dimension	63.3 (2.49)

### Pinion Rotating Torque

INFOID:000000005631215

Unit: N·m (kg·m, in·lb)

Item	Standard	
Around neutral position (within±100°) average	Except for sport models	1.38 – 1.83 (0.14 – 0.18, 13 – 16)
	Sport models	1.56 – 2.36 (0.16 – 0.24, 14 – 20)
Maximum variation	0.98 (0.10, 9)	

# SERVICE DATA AND SPECIFICATIONS (SDS)

< SERVICE DATA AND SPECIFICATIONS (SDS)

## Relief Oil Pressure

INFOID:000000005631216

Unit: kPa (kg/cm<sup>2</sup>, psi)

Item		Standard
Relief oil pressure	Except for sport models	8,530 – 9,330 (87 – 95.2, 1,237 – 1,353)
	Sport models	8,500 – 9,300 (86.7 – 94.8, 1,233 – 1,348)

A  
B  
C  
D  
E  
F  
ST  
H  
I  
J  
K  
L  
M  
N  
O  
P

ST